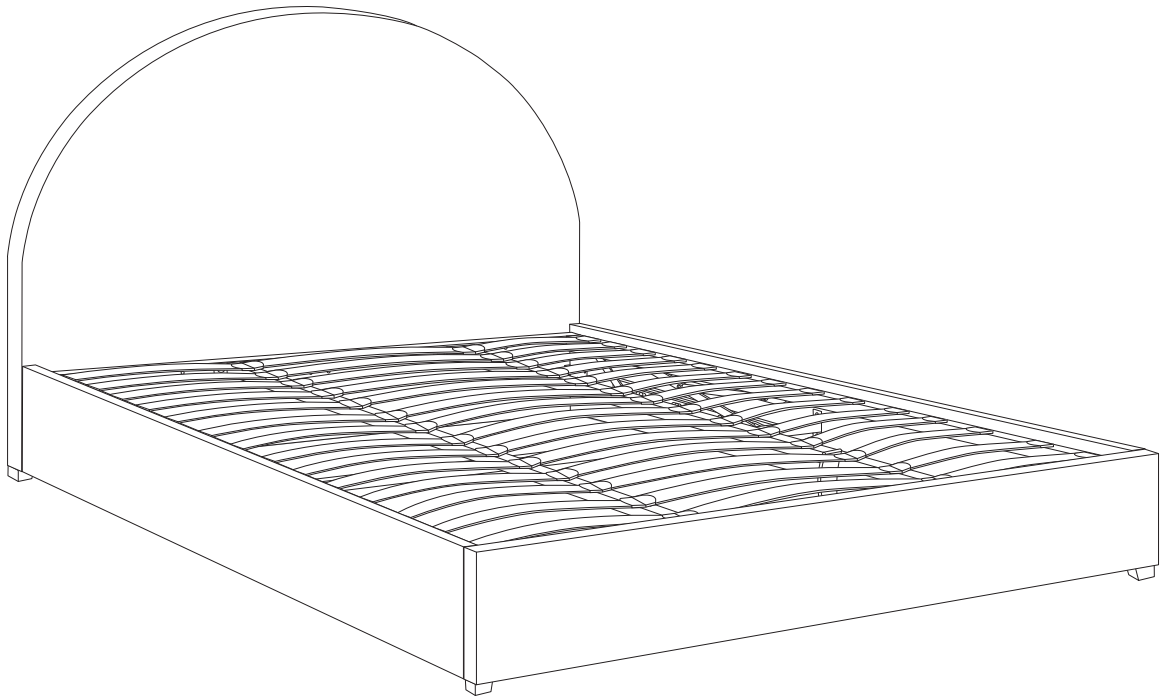
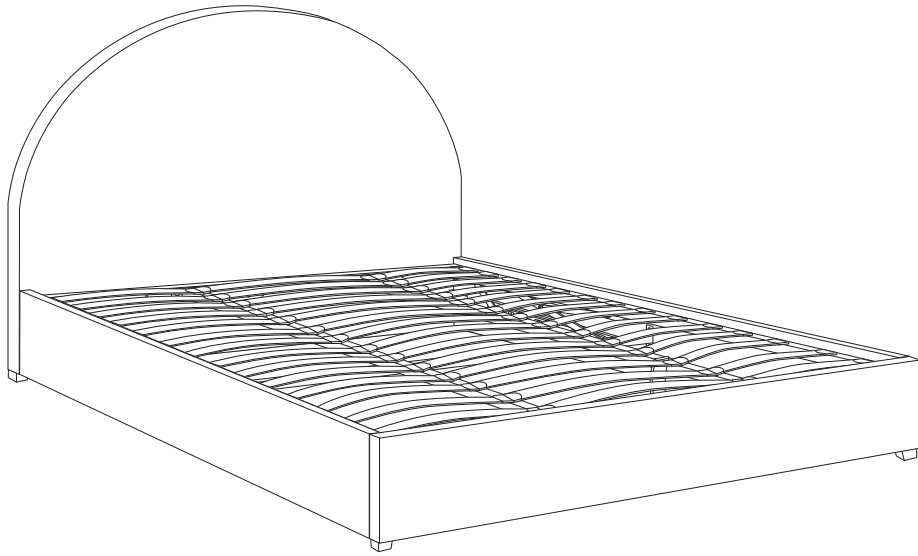
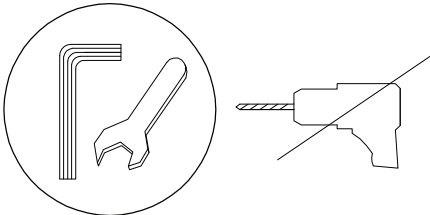

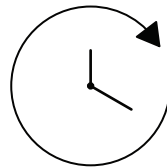
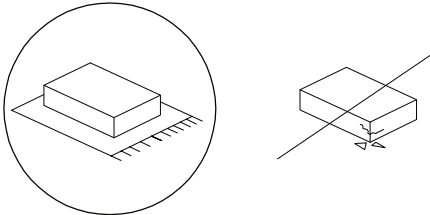

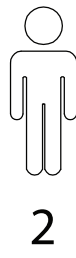
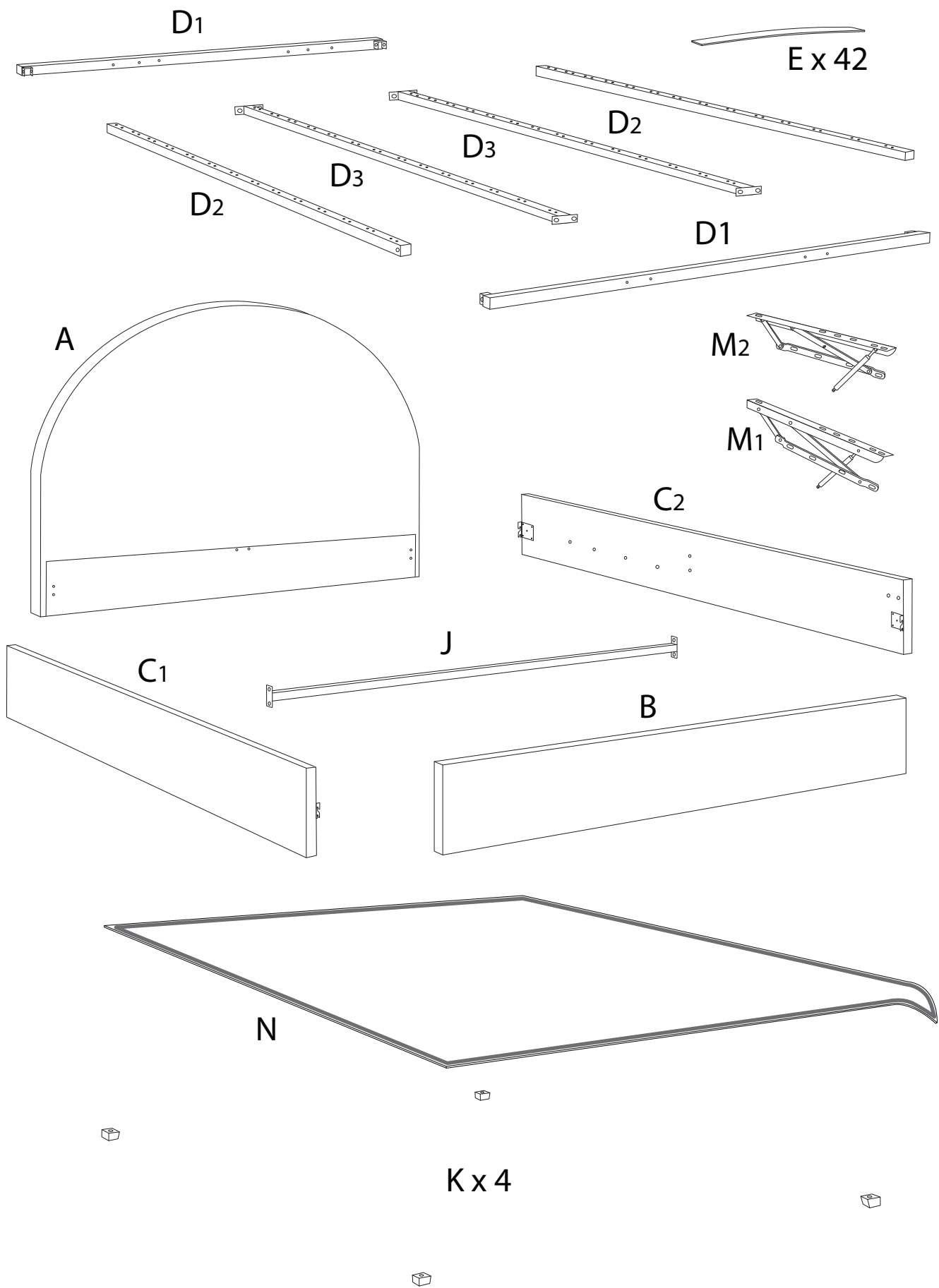


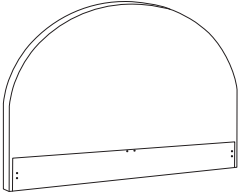
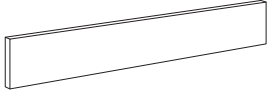
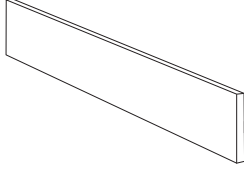
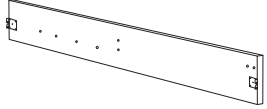

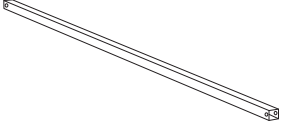
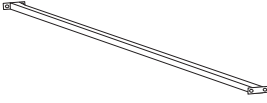

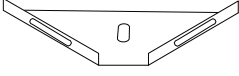

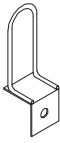
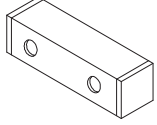

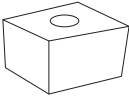
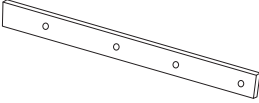
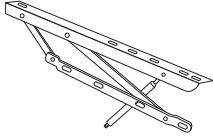
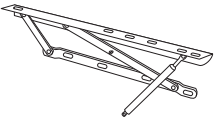
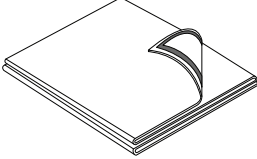
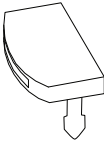
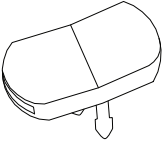
# VAUCLUSE

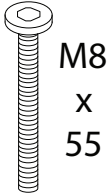
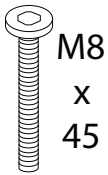

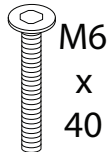

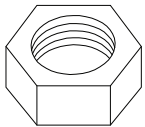
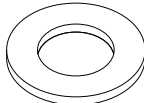
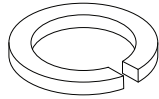
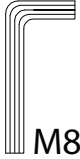
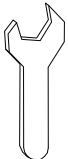
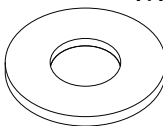
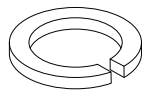

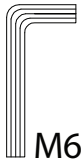
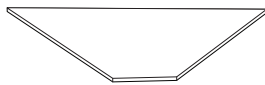
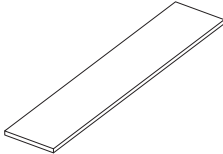




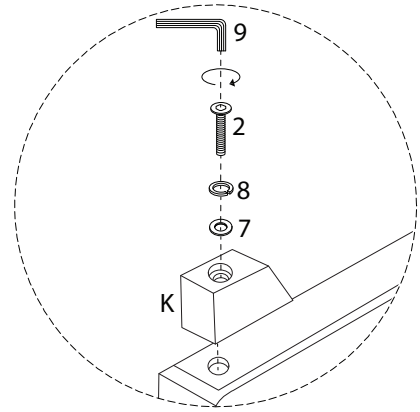
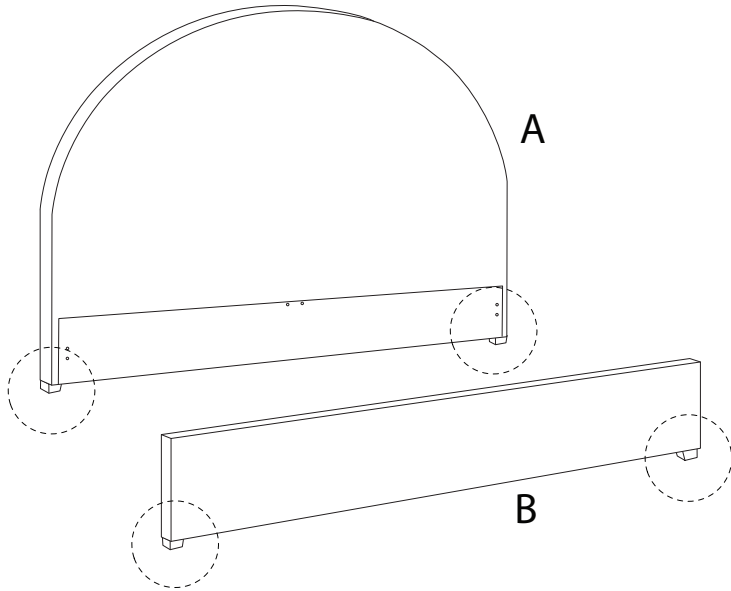
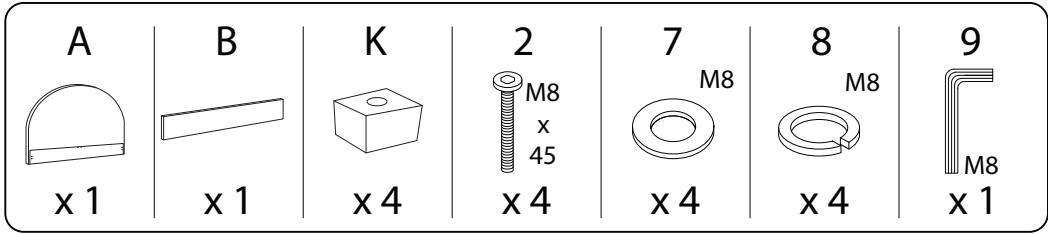
		
		



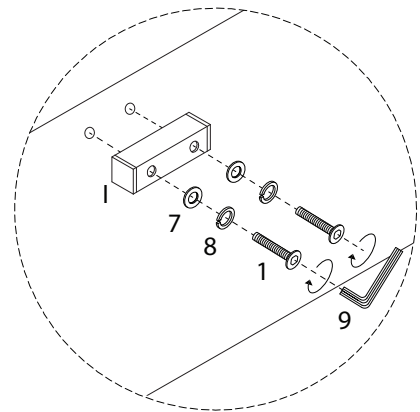
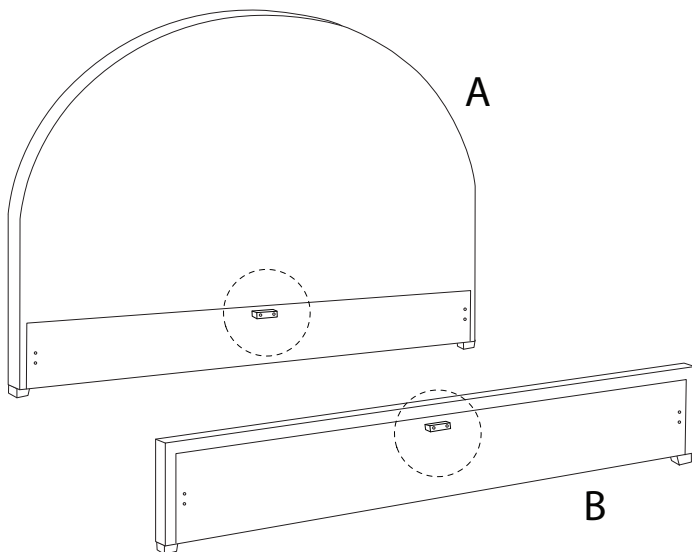
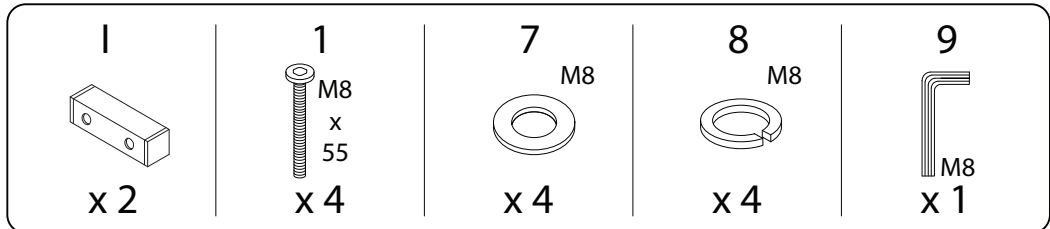
<p>A</p>  <p>x 1</p>	<p>B</p>  <p>x 1</p>	<p>C1</p>  <p>x 1</p>	<p>C2</p>  <p>x 1</p>
<p>D1</p>  <p>x 2</p>	<p>D2</p>  <p>x 2</p>	<p>D3</p>  <p>x 2</p>	<p>E</p>  <p>x 42</p>
<p>F</p>  <p>x 2</p>	<p>G</p>  <p>x 1</p>	<p>H</p>  <p>x 2</p>	<p>I</p>  <p>x 2</p>
<p>J</p>  <p>x 1</p>	<p>J</p>  <p>x 4</p>	<p>L</p>  <p>x 2</p>	<p>M1</p>  <p>x 1</p>
<p>M2</p>  <p>x 1</p>	<p>N</p>  <p>x 1</p>	<p>O</p>  <p>x 28</p>	<p>P</p>  <p>x 28</p>

<p>1</p>  <p>M8 x 55</p> <p>x 4</p>	<p>2</p>  <p>M8 x 45</p> <p>x 22</p>	<p>3</p>  <p>M8 x 30</p> <p>x 8</p>	<p>4</p>  <p>M6 x 40</p> <p>x 8</p>
<p>5</p>  <p>M6 x 20</p> <p>x 12</p>	<p>6</p>  <p>x 18</p>	<p>7</p>  <p>M8</p> <p>x 34</p>	<p>8</p>  <p>M8</p> <p>x 34</p>
<p>9</p>  <p>M8</p> <p>x 1</p>	<p>10</p>  <p>x 1</p>	<p>11</p>  <p>M6</p> <p>x 20</p>	<p>12</p>  <p>M6</p> <p>x 20</p>
<p>13</p>  <p>x 1</p>	<p>14</p>  <p>M6</p> <p>x 1</p>	<p>15</p>  <p>x 2</p>	<p>16</p>  <p>x 4</p>

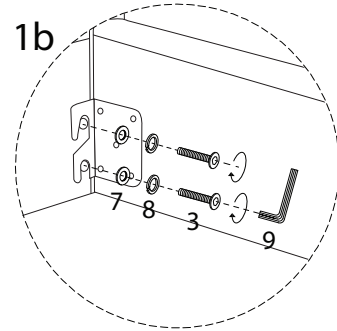
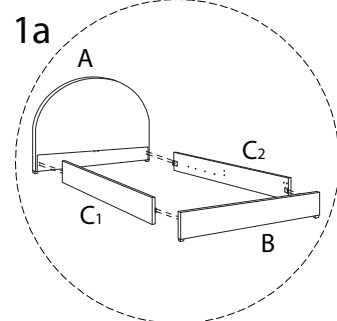
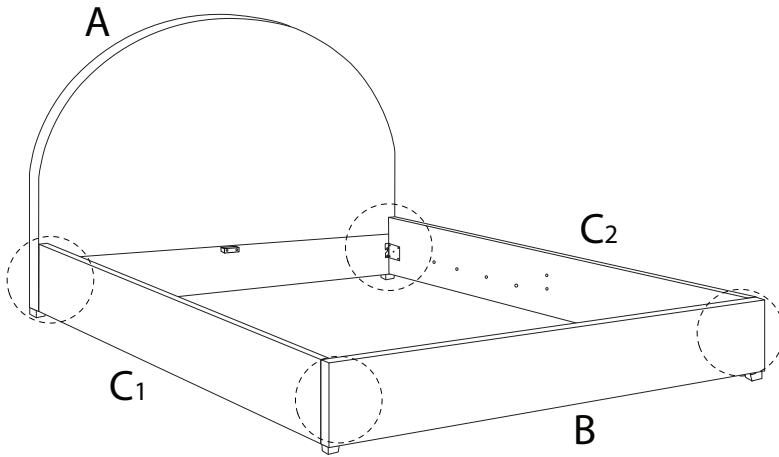
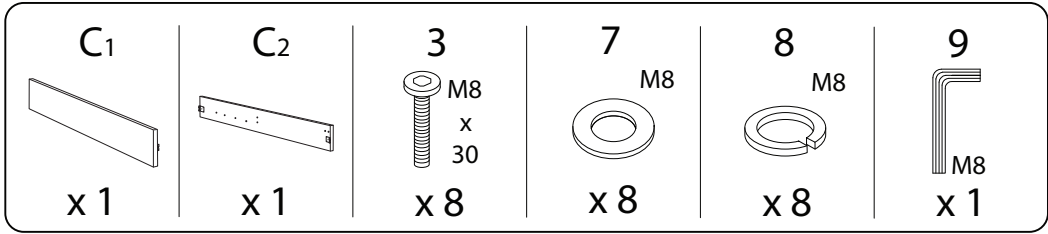
1



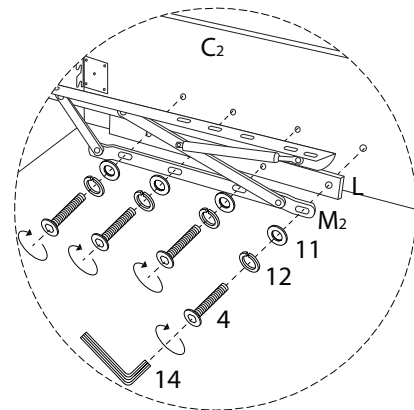
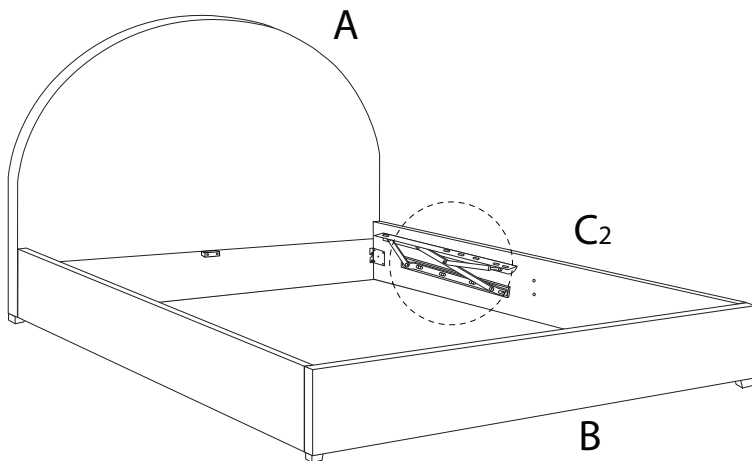
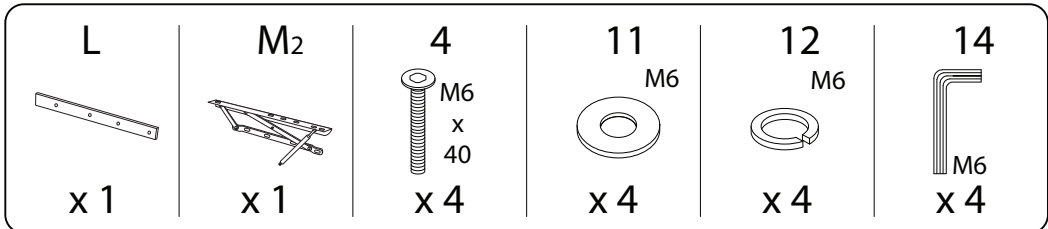
2



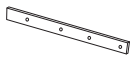
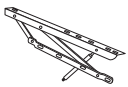
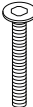


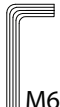
3

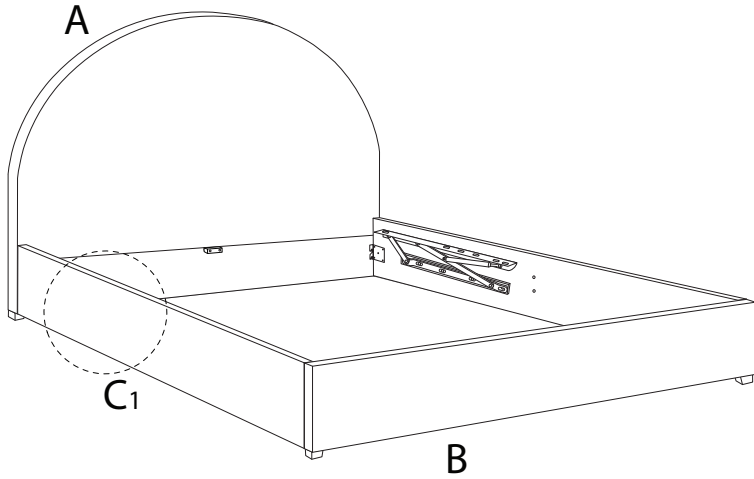


4

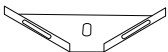
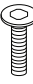


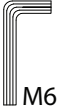


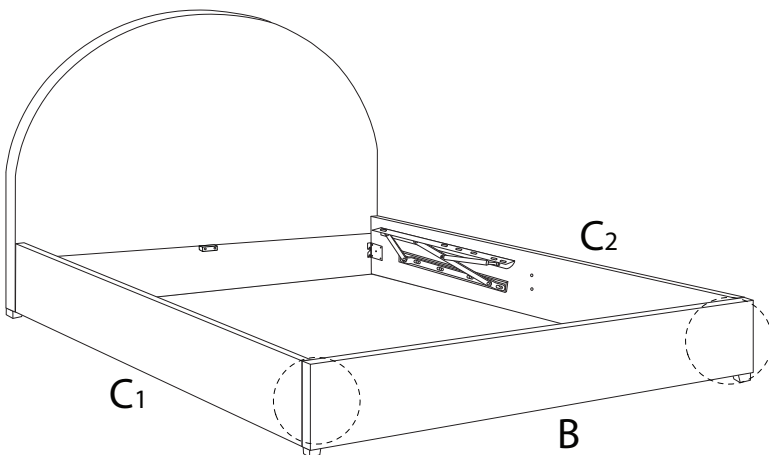
5

L  x 1	M <sub>1</sub>  x 1	4 M6 x 40  x 4	11 M6  x 4	12 M6  x 4	14 M6  x 1
---	--	--	---	--	--





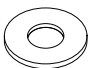
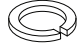
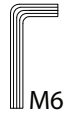
6

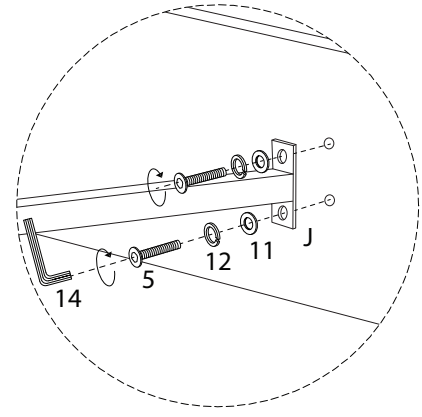
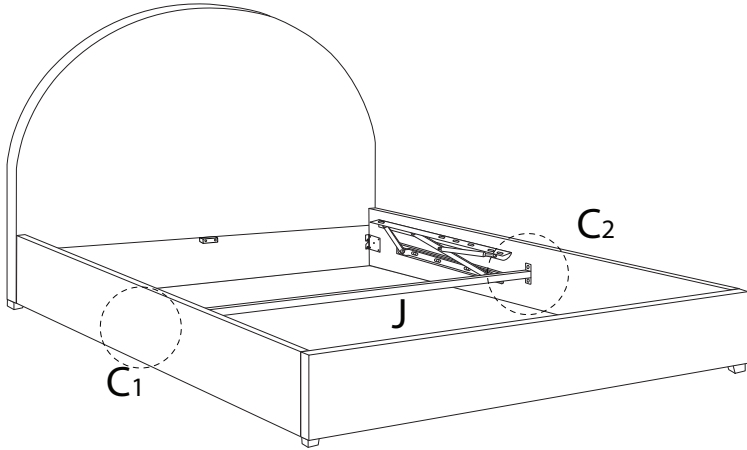
F  x 2	5 M6 x 20  x 8	11 M6  x 8	12 M6  x 8	14 M6  x 1
---	--	--	--	--



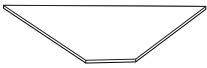


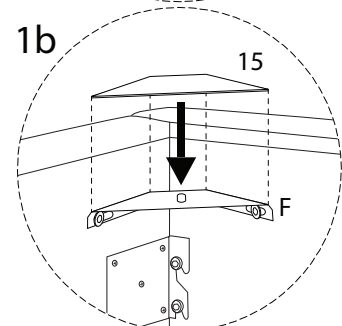
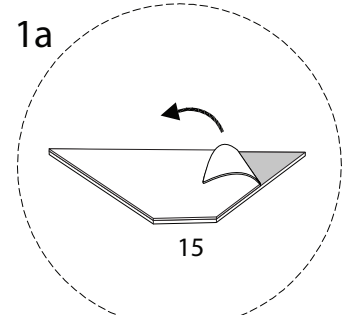
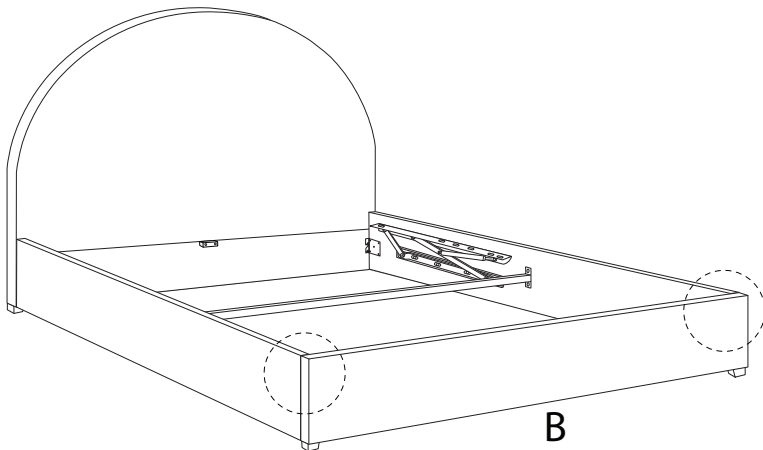
7

<b>J</b>  x 1	<b>5</b>  M6 x 20 x 4	<b>11</b>  M6 x 4	<b>12</b>  M6 x 4	<b>14</b>  M6 x 1
--	--	---	---	---

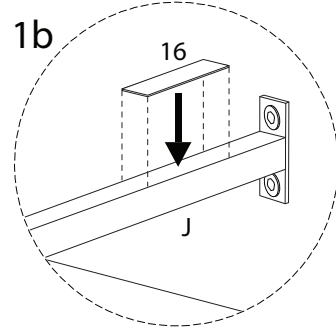
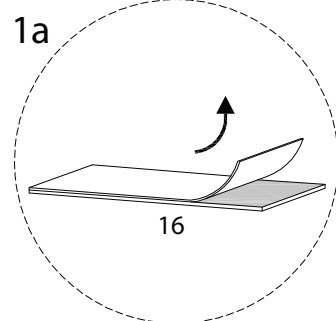
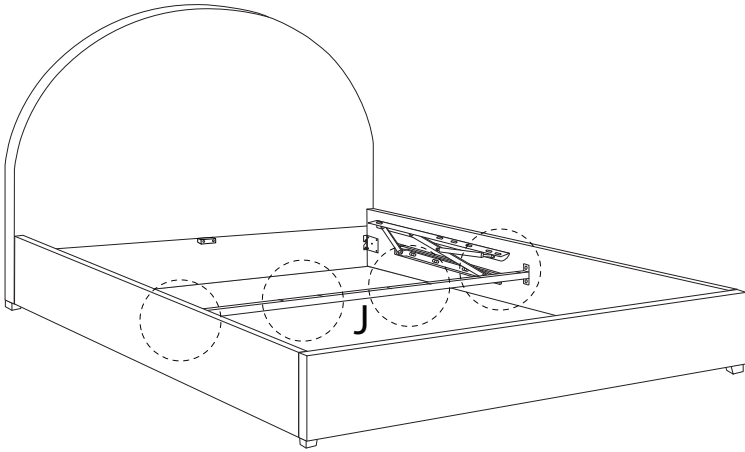
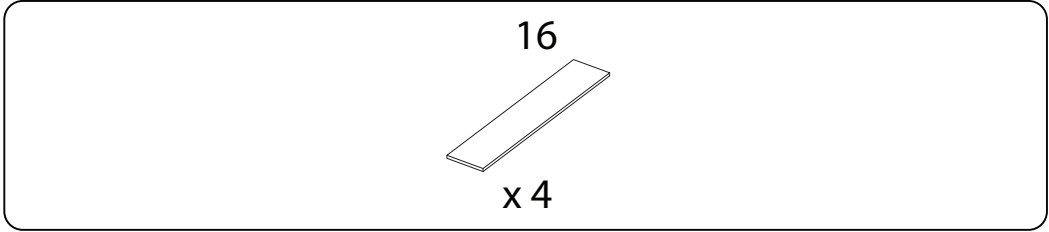


8

<b>15</b>  x 2
---

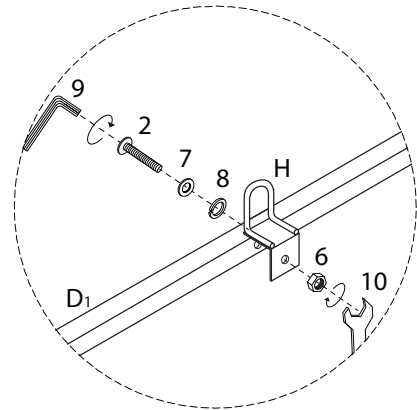
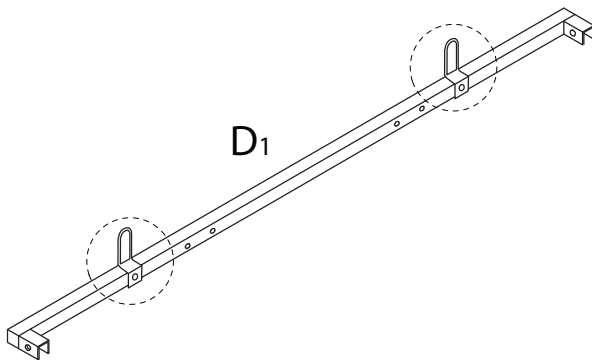


9

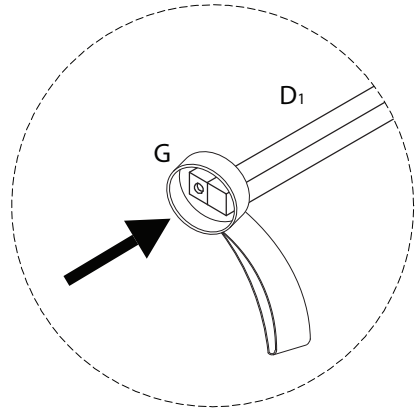
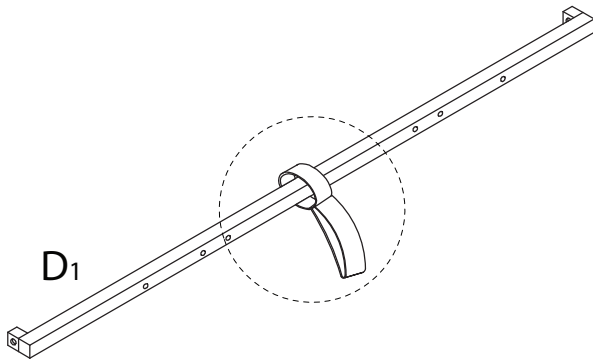


10

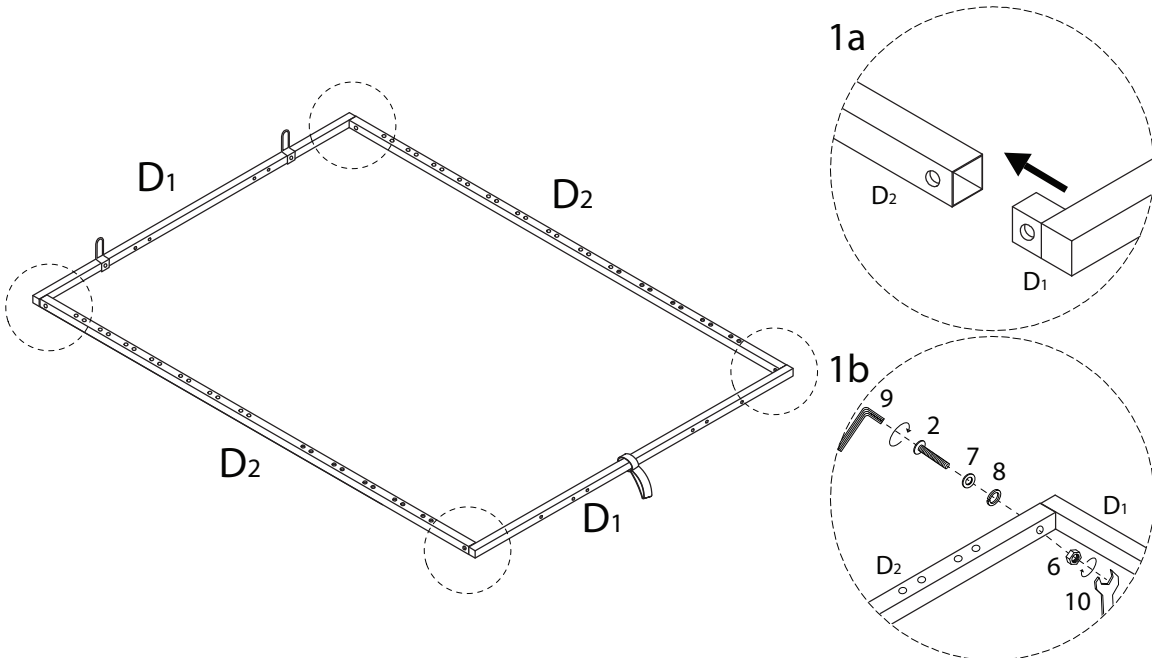
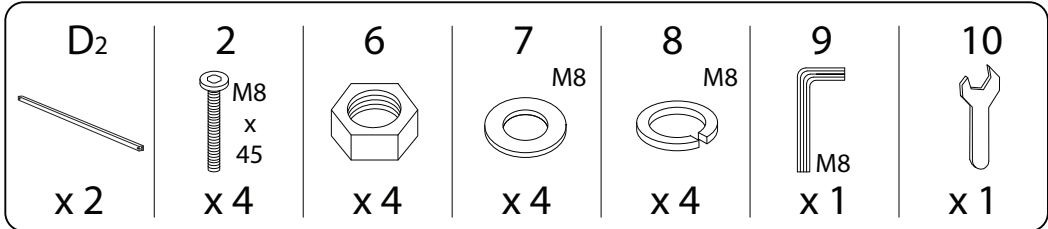
D <sub>1</sub>	H	2	6	7	8	9	10
x 1	x 2	x 2	x 2	x 2	x 2	x 1	x 1




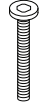
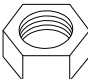

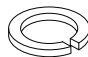
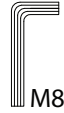
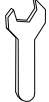
11

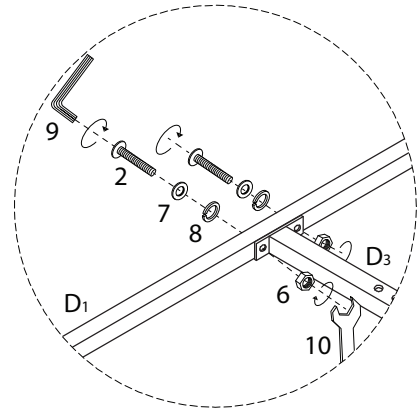
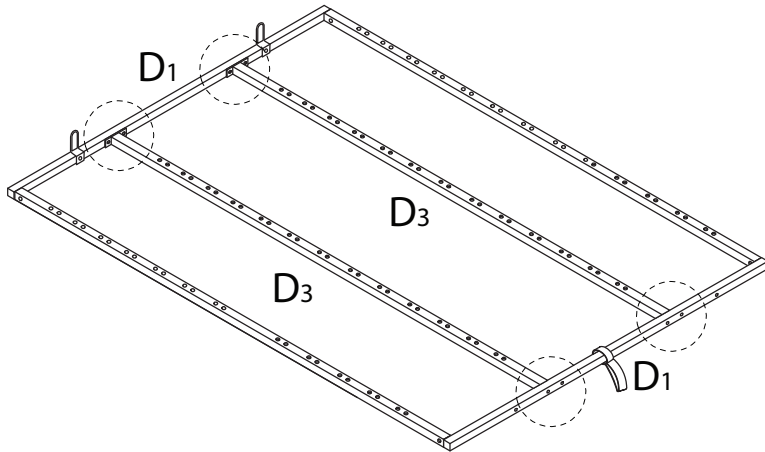


12

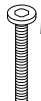
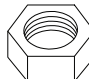


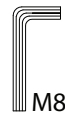



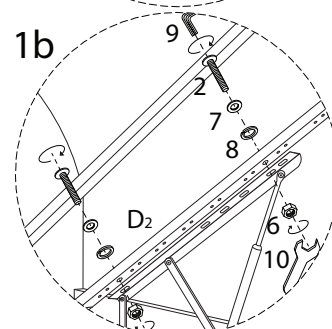
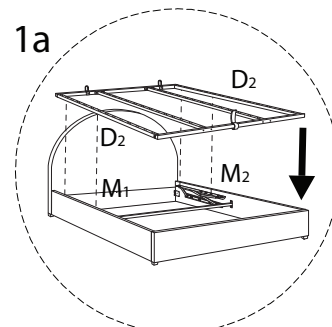
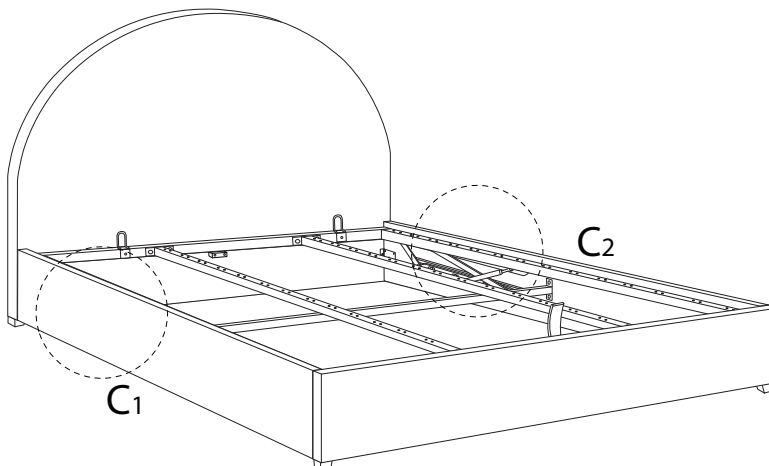
# 13

D3  x 2	2 M8 x 45  x 8	6  x 8	7 M8  x 8	8 M8  x 8	9 M8  x 1	10  x 1
--	---	---	---	--	---	--

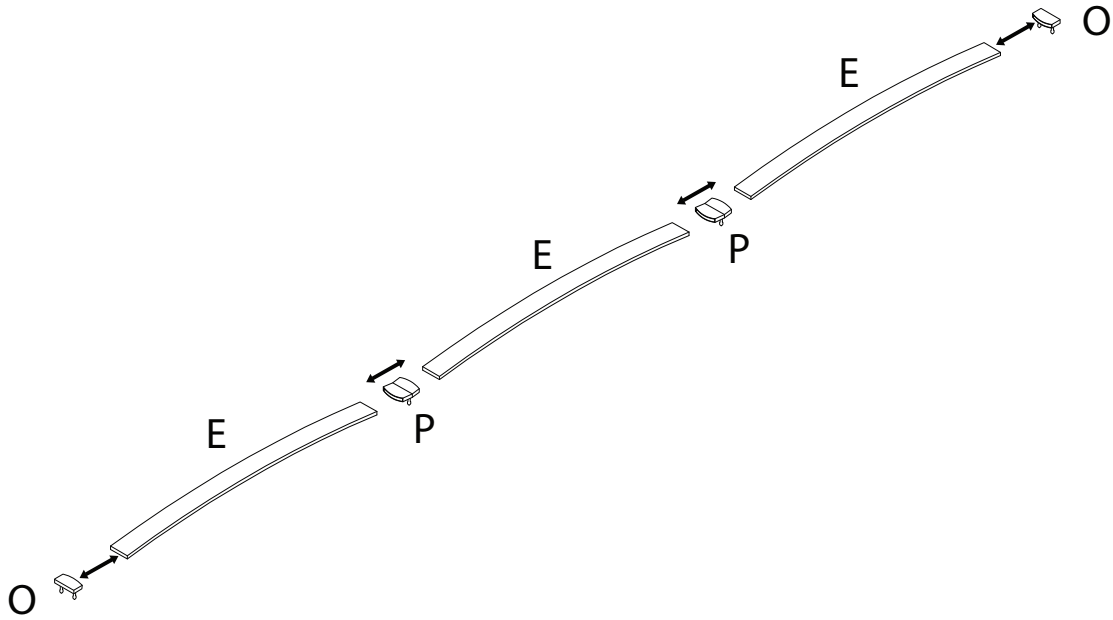
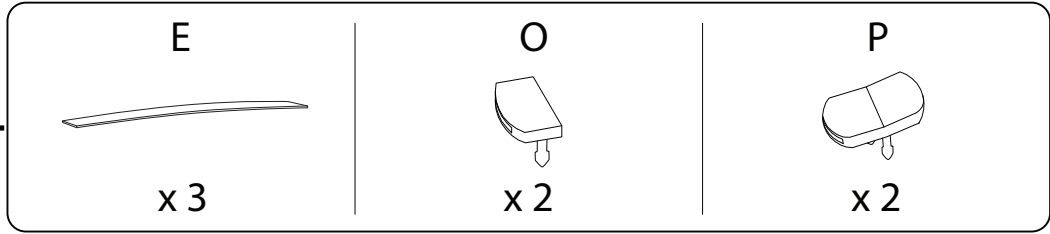


# 14

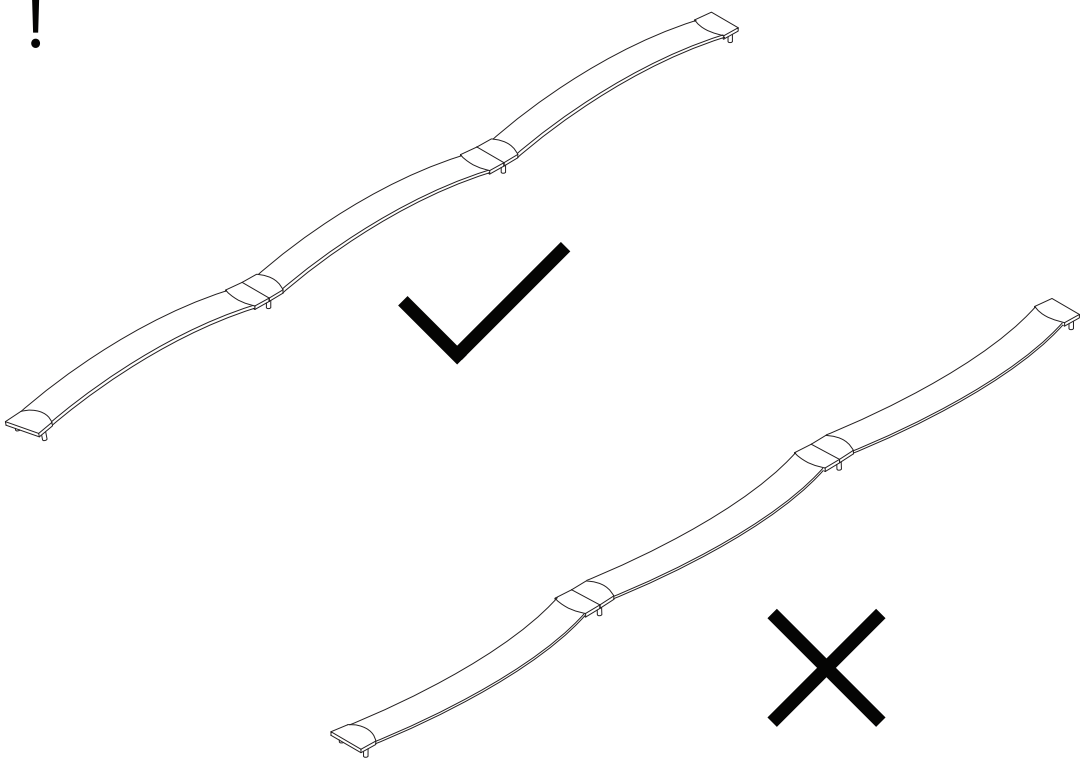
2 M8 x 45  x 4	6  x 4	7 M8  x 4	8 M8  x 4	9 M8  x 1	10  x 1
---	---	---	--	---	--



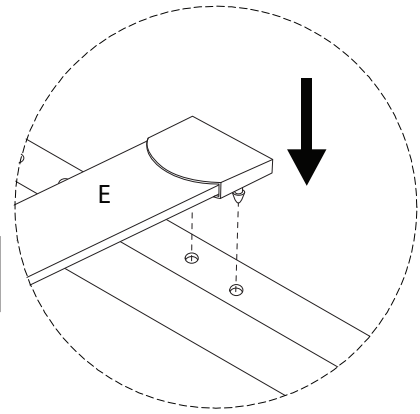
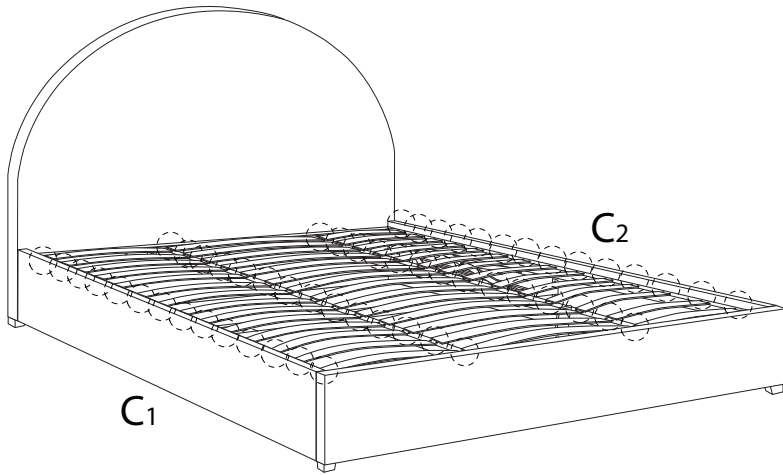
15 x 14



!

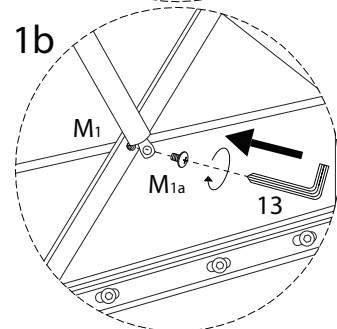
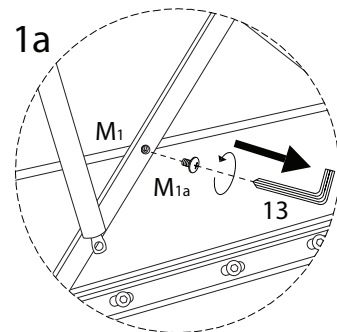
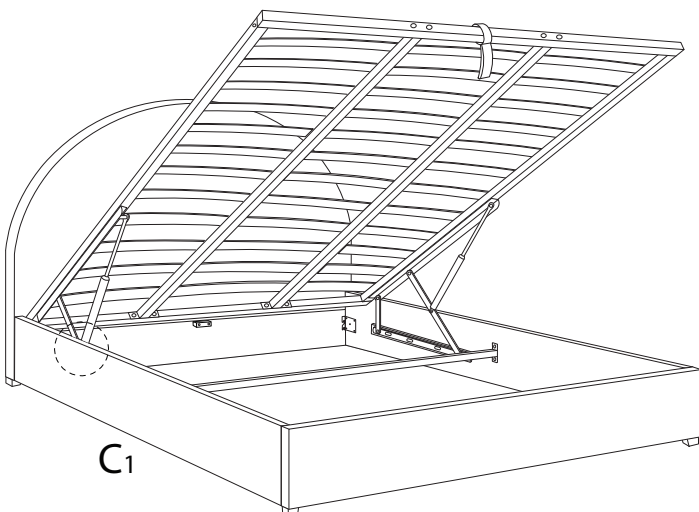


16



17

13  
x 1

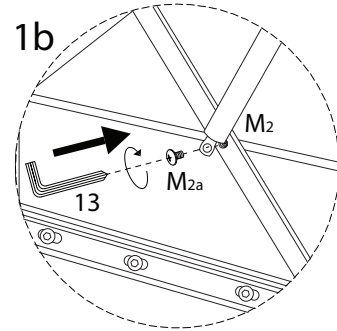
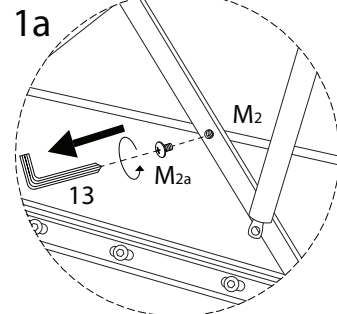
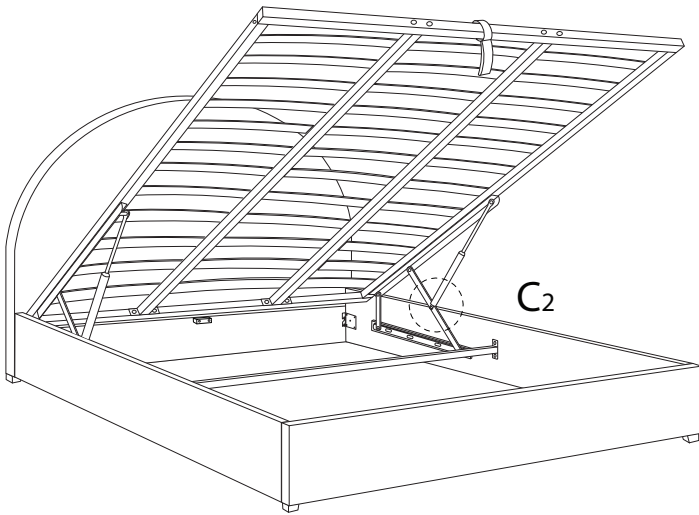


18

13



x 1



19

N



x 1

