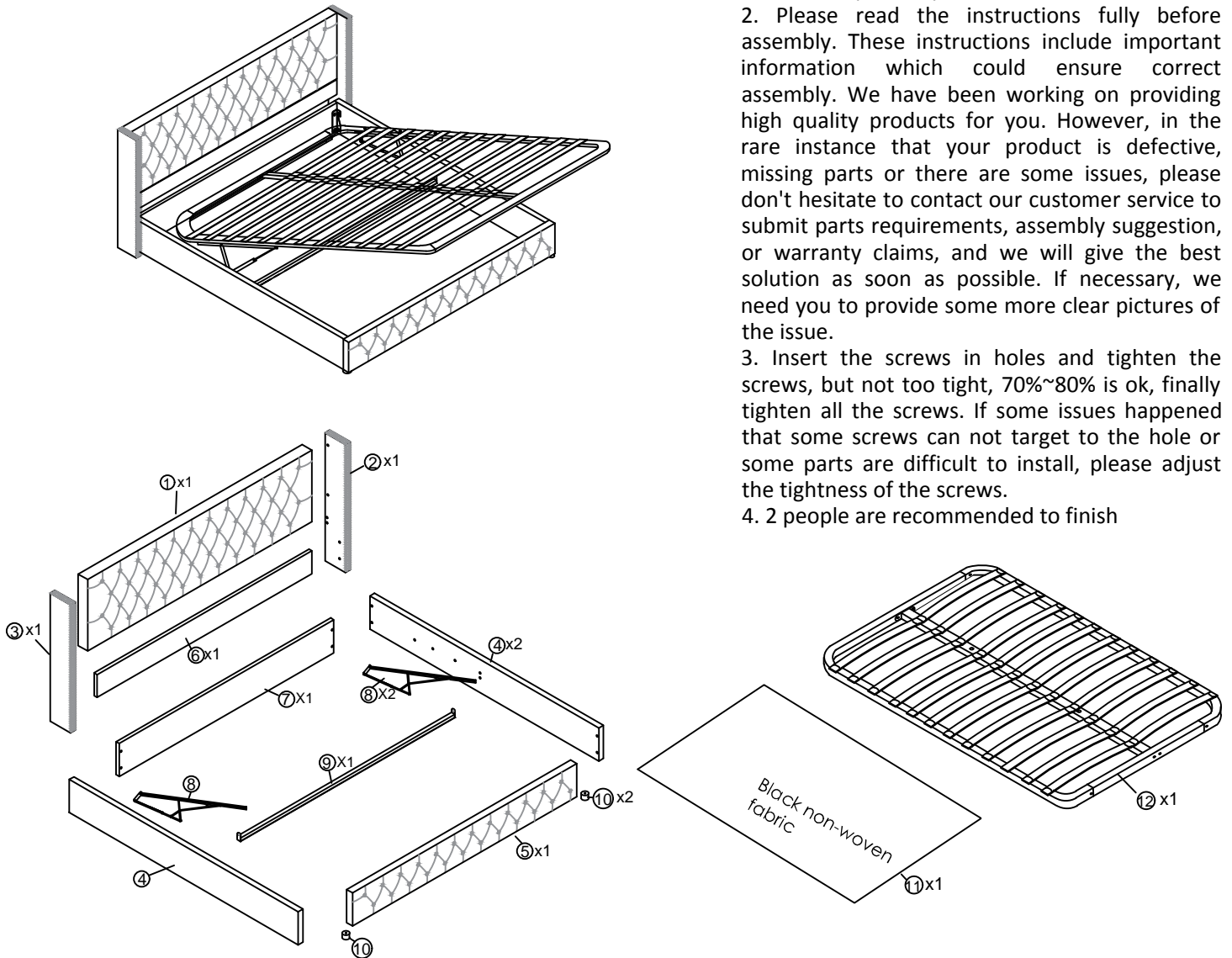


ASSEMBLY INSTRUCTION

TIPS

1. This product is divided into 2 parcels for delivery. They may not arrive at the same time. Please wait patiently.
2. Please read the instructions fully before assembly. These instructions include important information which could ensure correct assembly. We have been working on providing high quality products for you. However, in the rare instance that your product is defective, missing parts or there are some issues, please don't hesitate to contact our customer service to submit parts requirements, assembly suggestion, or warranty claims, and we will give the best solution as soon as possible. If necessary, we need you to provide some more clear pictures of the issue.
3. Insert the screws in holes and tighten the screws, but not too tight, 70%~80% is ok, finally tighten all the screws. If some issues happened that some screws can not target to the hole or some parts are difficult to install, please adjust the tightness of the screws.
4. 2 people are recommended to finish

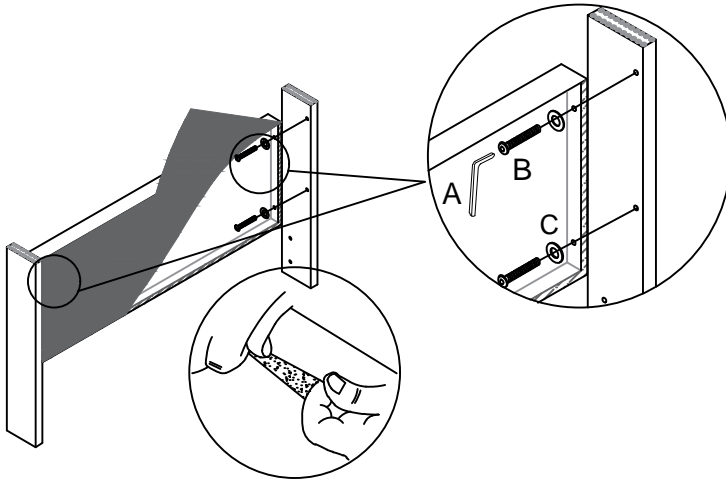





Parts List			Hardware List		
NO	ITEM	QTY	NO	ITEM	QTY
1	Head board	1	A	Allen Key 	1
2	Side head board	1	B	Bolts (M8x45mm) 	24
3	Side head board	1	C	Washer 	4
4	Side rails	2	D	Bolts (M8x25mm) 	20
5	Foot board	1	E	Nuts 	14
6	Cross board	1	F	Nails (M4x25mm) 	12
7	Storage box board	1	G	Nails (M4x50mm) 	2
8	Gas lift	2	H	Nuts 	2
9	Cross bar	1	I	Bolts (M6x25mm) 	10
10	Legs	2	J	Spanner 	1
11	Non woven fabric	1	K	Hinge 	4
12	Slat frame	1	L	Plastic support 	4
			M	Middle legs 	2
			N	Middle slats 	12
			O	End slats cap 	24
			P	Stopper 	1
			Q	"7" Connector 	2

Attention: Do not tighten the screws before completing the entire installation. If you have any difficulty with the installation process, please feel free to contact us.

Step 1x2

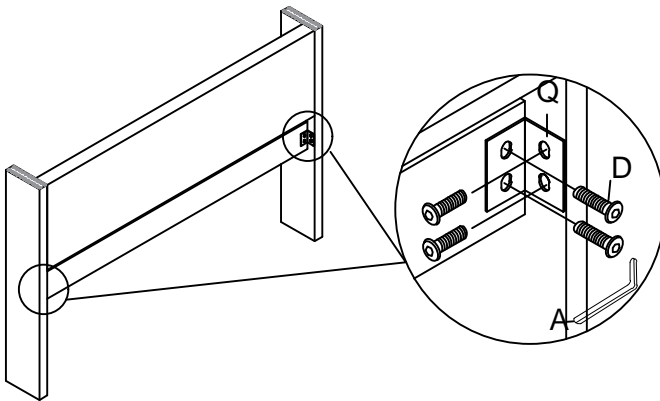
Fix the sideboard ②/③ To the headboard ① With bolts B and Washers C by using Allen key A, then stick the black non woven fabric to the bottom of the headboard.


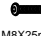



A Allen Key x1	C Washer x 4	B Bolts x 4 M8X45mm
		

Step 2x2

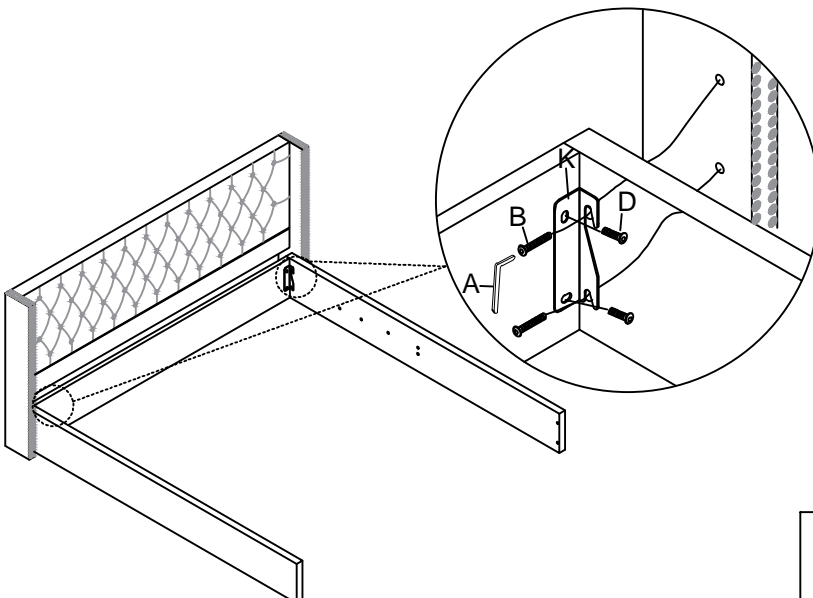
Fix cross board ⑥ to the side head board ② and ③ with "7" connector Q and bolt D by using Allen key A







A Allen Key	D Bolts x 8 M8X25mm	Q "7" Connector x2
		

Step 3 x2

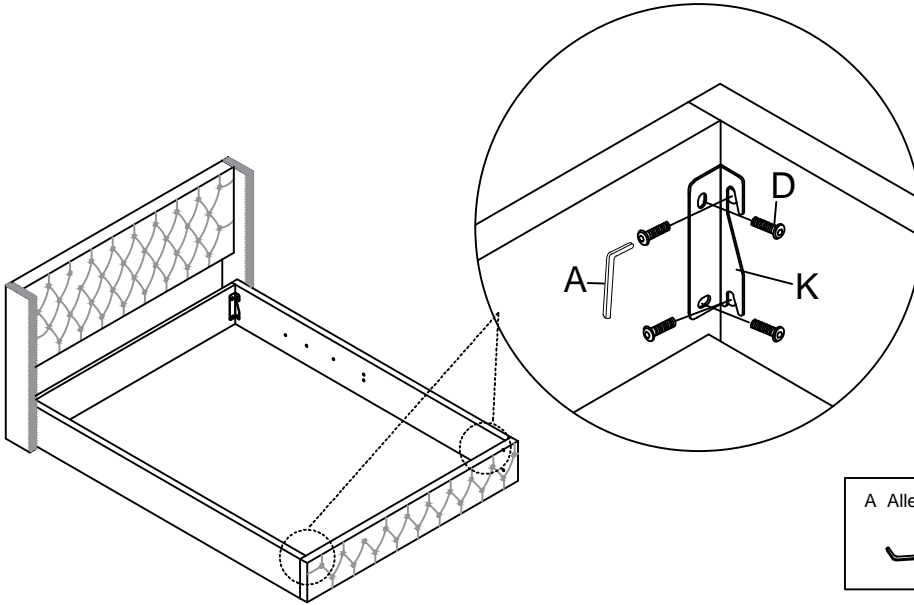
Fix the side rails ④ To the side headboard ② and ③ With bolts B, Bolts D and hinges K by using Allen key A



A Allen Key	B Bolts x 4 M8X45mm	D Bolts x 4 M8X25mm	K Hinge x2
			

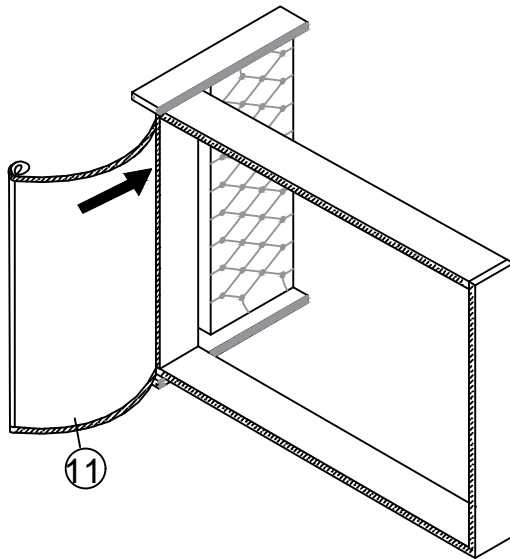
Step 4 x2

Fix the footboard ⑤ to the siderails ④ with bolts D and hinges K by using Allen key A



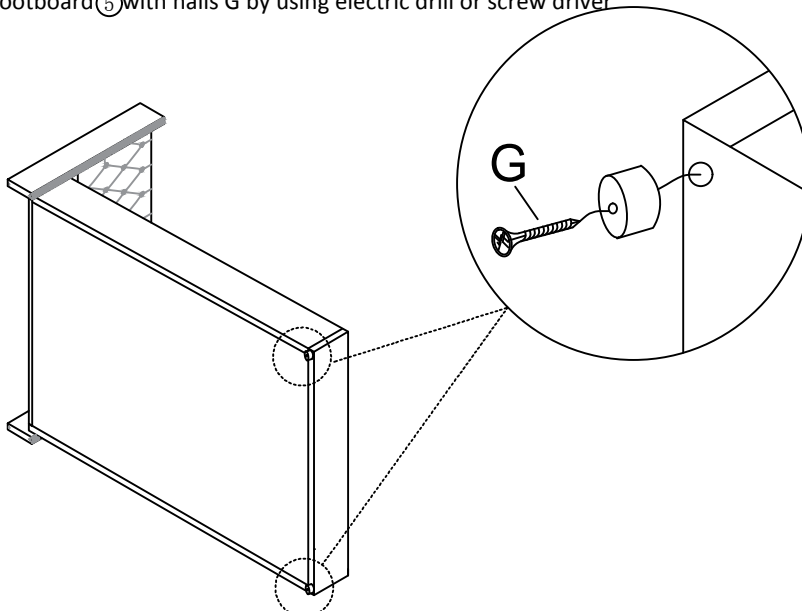
Step 5

Stick the black non-woven fabric ⑪ to the bottom of bed



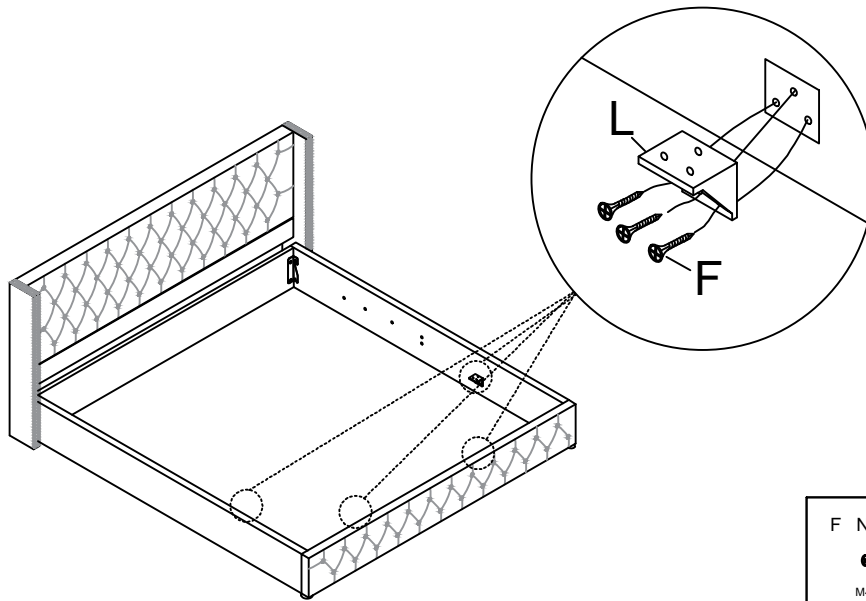
Step 6 x2

Fix the legs ⑩ to the footboard ⑤ with nails G by using electric drill or screw driver



Step 7

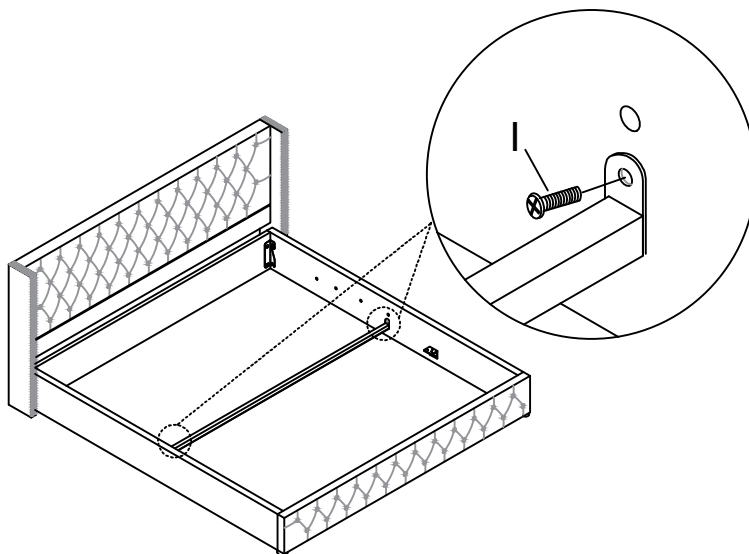
Fix the poly supports L to the side rails ④ and footboard ⑤ with nails F by using drill or screw driver



F Nails x12 M4X25mm	L Plastic support x4	
------------------------	----------------------	--

Step 8

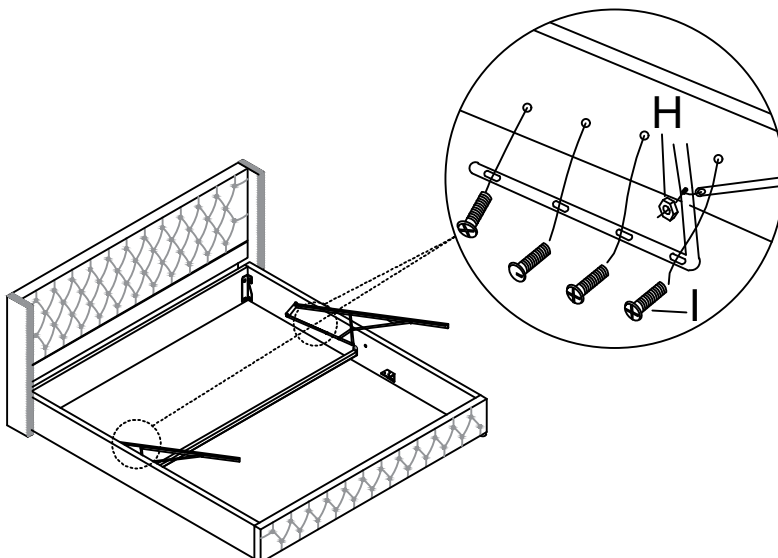
Fix the cross bar ⑨ to the side rails ④ with bolts I by using electric drill or screw driver.



I Bolts x 2 M6X25mm	
------------------------	--

Step 9x2

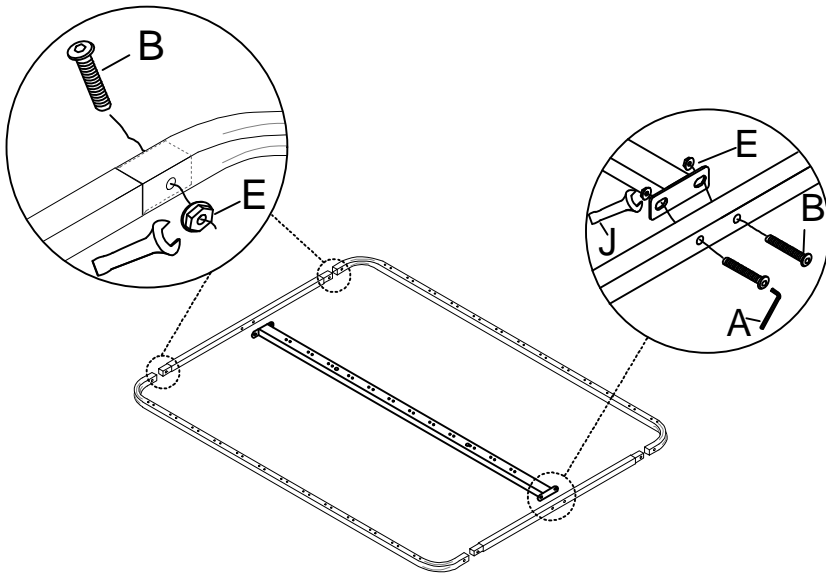
Fix the gas lifts ⑧ to the side rails ④ with bolts I by using electric drill. fix the gas bar to the gas lifts ⑧ with nuts H



H Nuts x2	I Bolts x 8 M6X25mm	
-----------	------------------------	--

Step 10

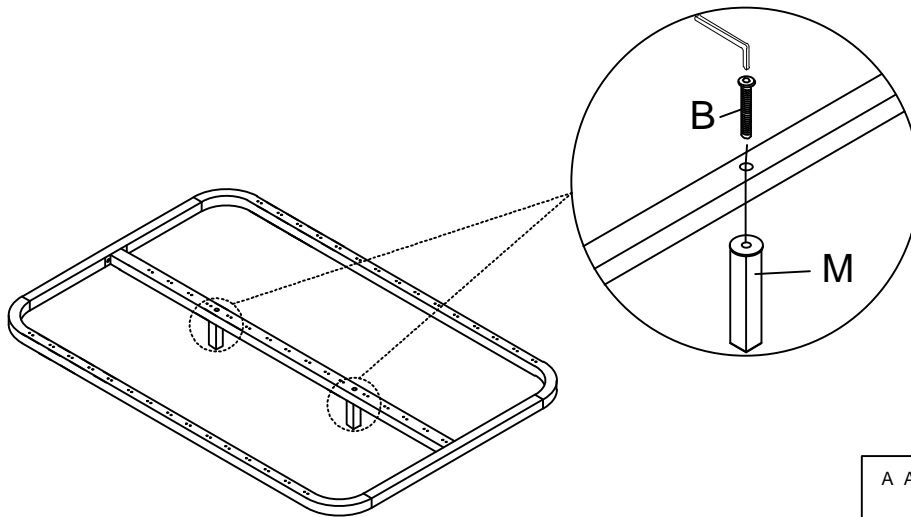
Assemble the slats frame with bolts B and nuts E by using Spanner J



B Bolts x8 M8X45mm	E Nuts x8	J Spanner x1
-----------------------	-----------	--------------

Step 11 x2

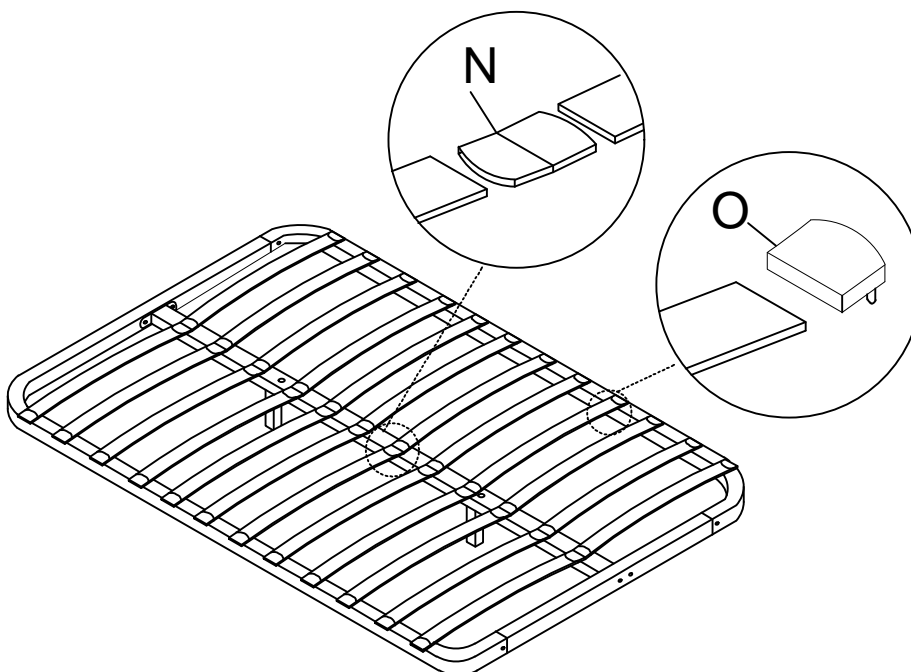
Fix middle legs M to the middle bar with bolts B by using Allen key A



A Allen Key	B Bolts x 2 M8X45mm	M Middle legs x2
-------------	------------------------	------------------

Step 12

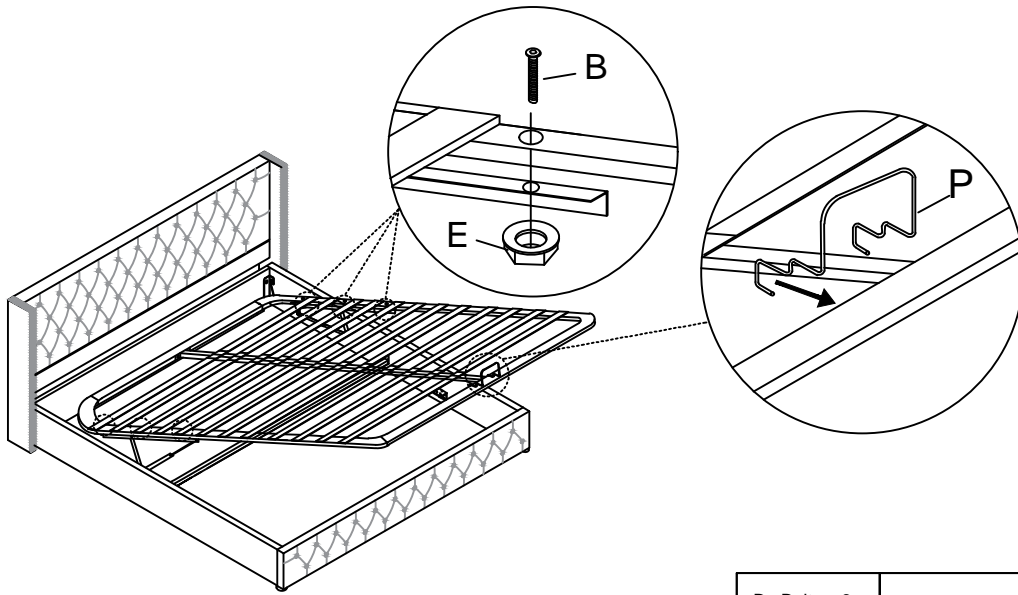
Assemble the slats into the assembled slats frame with middle slats cap N and end slats cap O



N Middle slats x12	O End slats cap x24
--------------------	---------------------

Step 13

Assemble the slats frame ⑫ to the gas lifts ⑧ with bolts B and nuts E, put the stopper P in the end of the slat frame, then assemble is finished, now please tighten all hardware and enjoy the bed



B Bolts x6 M8X45mm	E Nuts x6	P Stopper x1
-----------------------	-----------	--------------