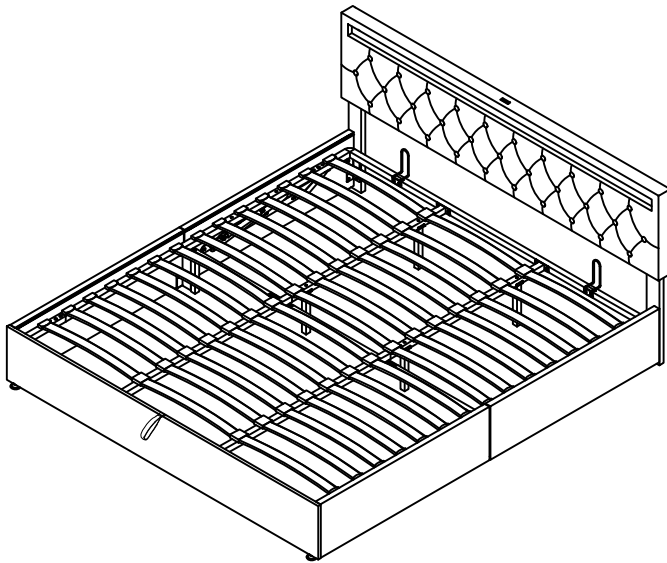


# MONTAGEANLEITUNG

Artikelnummer: WF531626 WF531627



Please check that you have all the parts listed before you start assembling, if you do find that something is missing, do not continue assembly, please contact us immediately.

NOTE: Please do not completely tighten all the hardware until the entire assembly is complete!

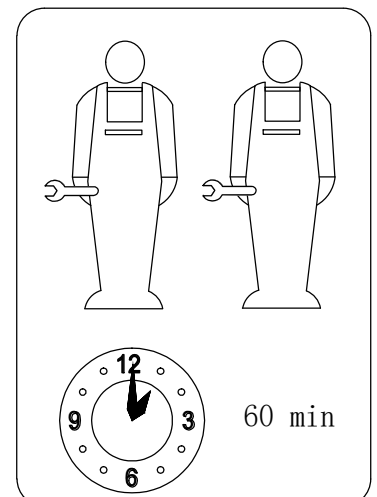
Bitte überprüfen Sie, ob alle Teile mitgeliefert sind, bevor Sie mit der Montage beginnen. Wenn Sie festlegen, dass etwas fehlt, setzen Sie die Montage nicht fort. Bitte kontaktieren Sie uns sofort.

Achtung: Bitte ziehen Sie nicht alle Schrauben fest, bevor die Montage abgeschlossen ist!

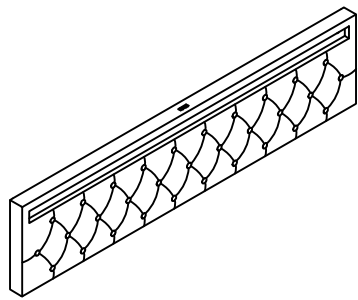
- |                             |                                |
|-----------------------------|--------------------------------|
| Ⓓ Gebrauchsanweisung        | ⒼⒸ Instructions for use        |
| ⒶⒻ Gebrauchsrictlijnen      | ⒻⒼ Instructions d' utilisation |
| ⒶⒼ Istruzioni per l'uso     | ⒶⒻ Instrukcja obsługi          |
| ⒸⒶ Pokyny k použití         | ⒸⒶ Instrucciones de empleo     |
| ⒻⒼ Használati útmutató      | ⒻⒼ Instructiuni de folosire    |
| ⒶⒼ Instruções de utilização | ⒻⒼ ИHcTpyKция по монтажу       |
| ⒸⒶ Pokyny k použitiu        | ⒻⒼ Kullanım talimatları        |

This set will be shipped by 2 boxes and they may arrive on different days. If both packages arrived but parts missing, please contact customer service.

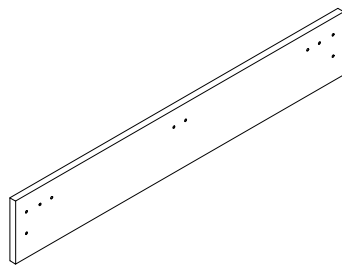
Dieses Set ist in 2 Boxen enthalten. Wenn Sie keine vollen 2 Boxen erhalten, wenden Sie sich bitte an unseren Kundenservice.



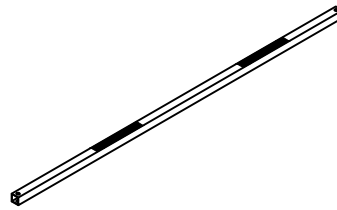
# Part list WF531626



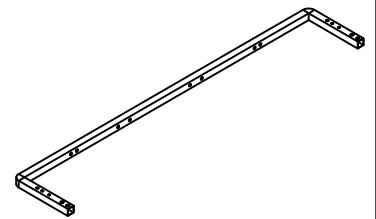
A\*1PC



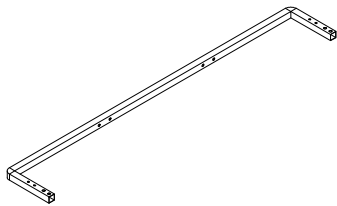
B\*1PC



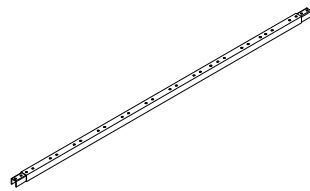
E\*1PC



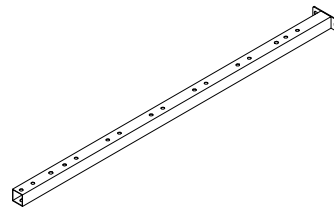
J1\*1PC



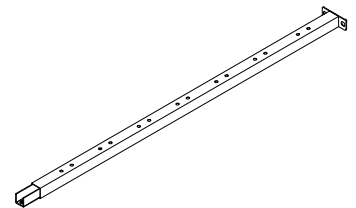
J2\*1PC



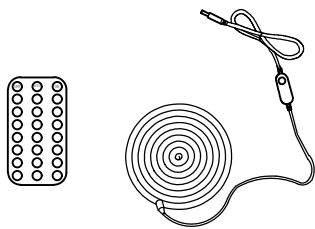
K\*2PCS



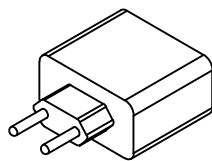
O1\*2PCS



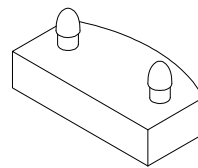
O2\*2PCS



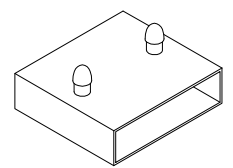
F\*1PC



M\*1PC

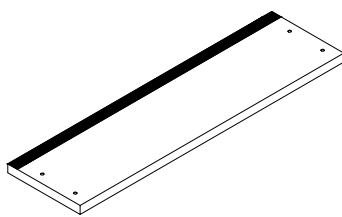


W1\*28PCS

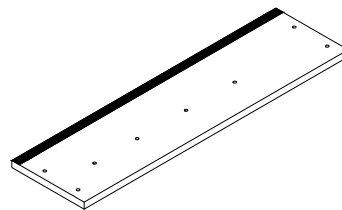


W2\*28PCS

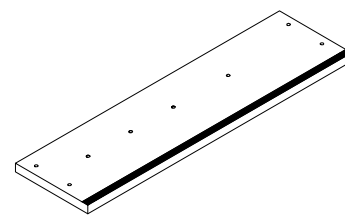
# Part list WF531627



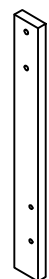
C\*2PCS



D1\*1PC



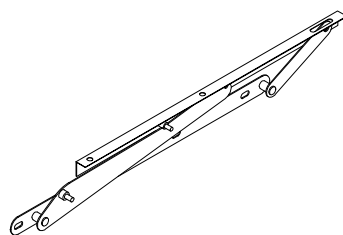
D2\*1PC



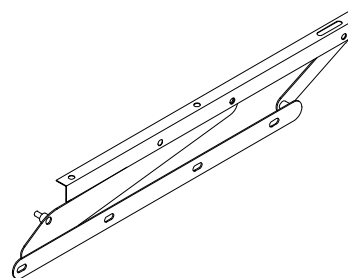
G1\*1PC



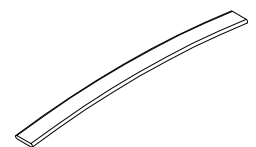
G2\*1PC



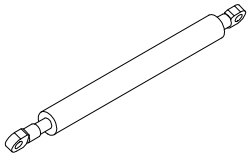
H1\*1PC



H2\*1PC



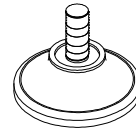
L\*42PCS



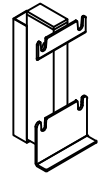
N\*2PCS



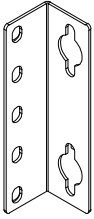
P\*4PCS



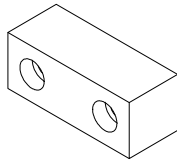
Q\*2PCS



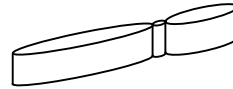
R\*2PCS



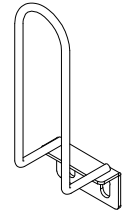
S\*4PCS



T\*3PCS

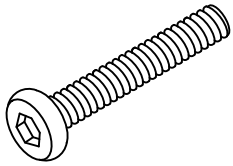


U\*1PC

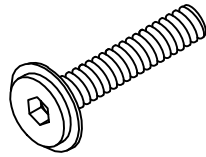


V\*2PCS

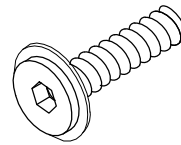
## Hardware list WF531627



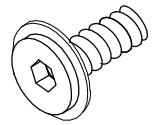
M8\*50MM  
X1\*4PCS



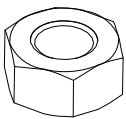
M8\*45MM  
X2\*18PCS



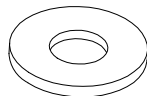
M8\*30MM  
X3\*40PCS



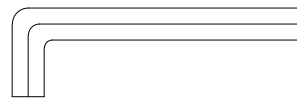
M8\*18MM  
X4\*16PCS



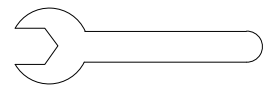
M8  
Y\*10PCS



Ø22\*Ø8.5  
Z1\*4PCS



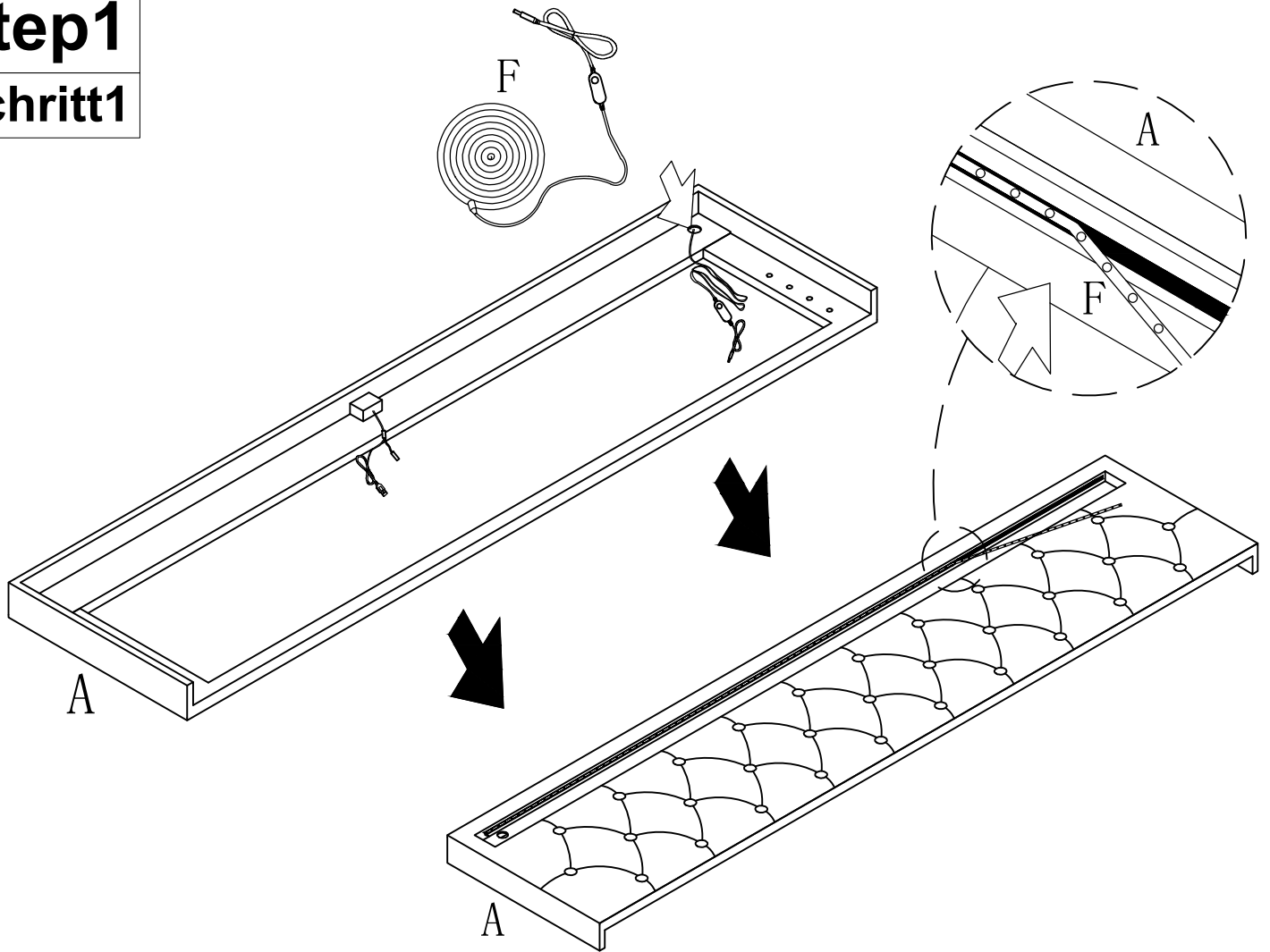
M8  
Z2\*1PC



M8  
Z3\*1PC

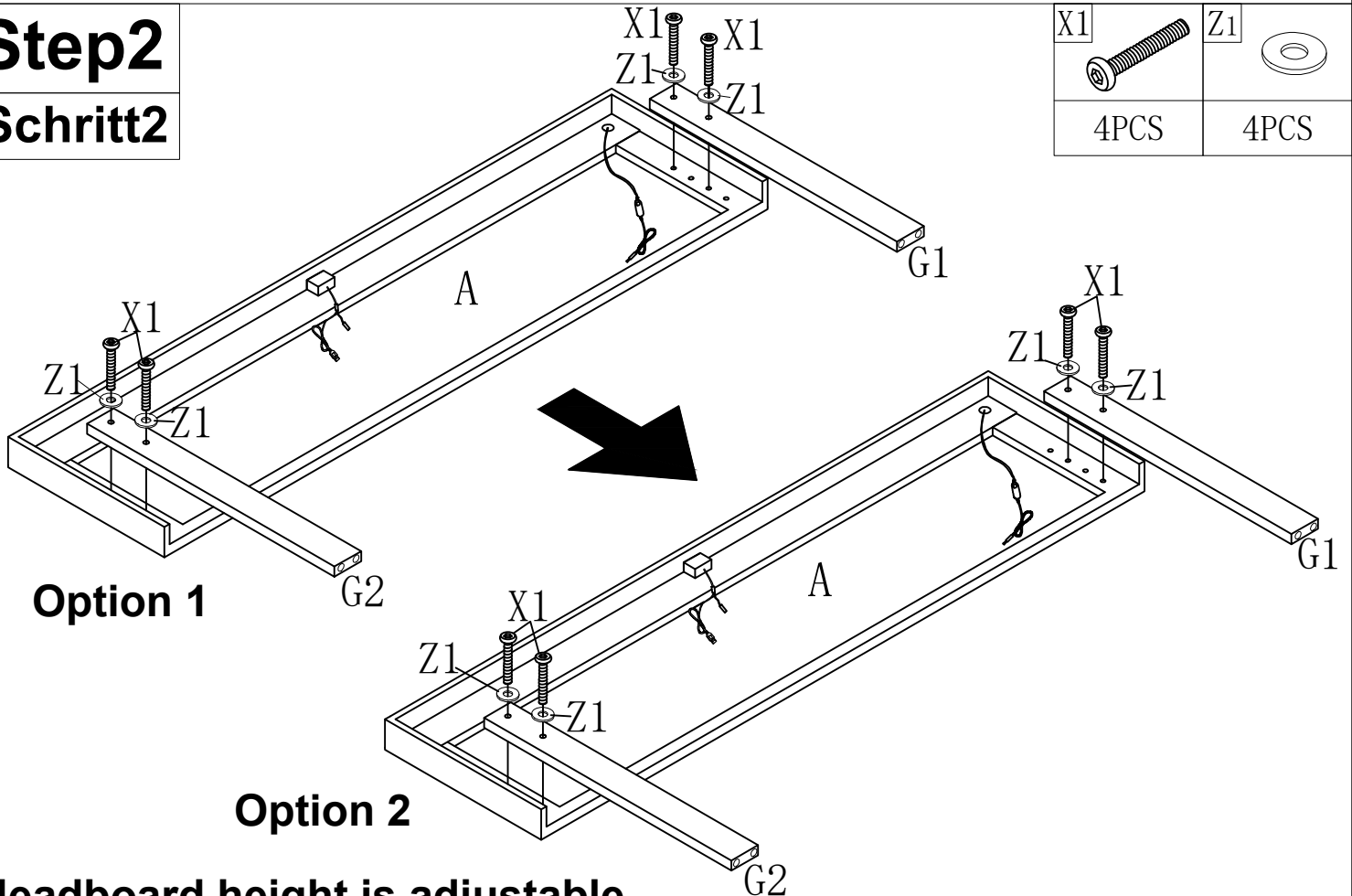
# Step1

## Schritt1



# Step2

## Schritt2

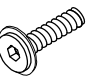


Headboard height is adjustable

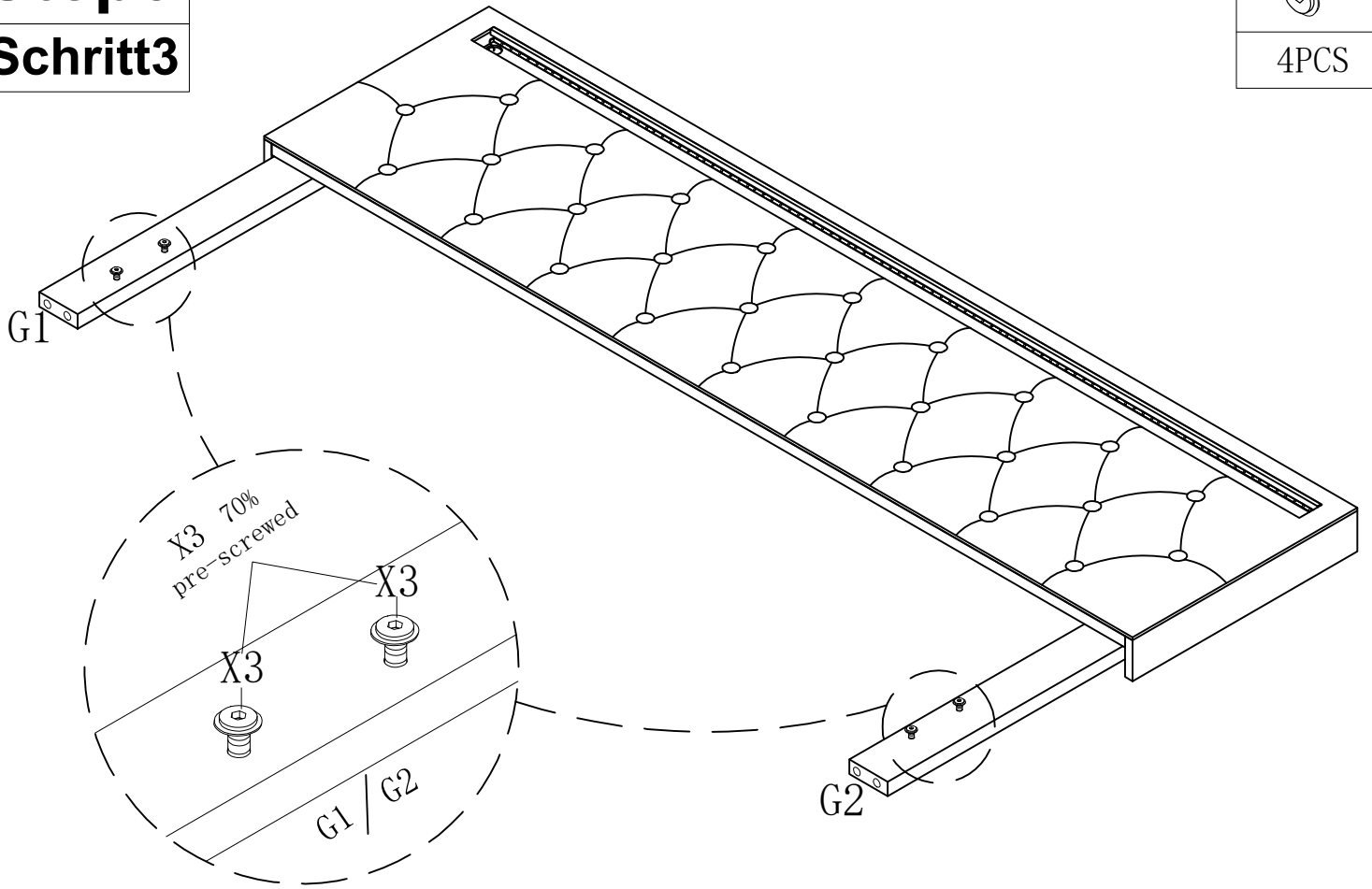
# Step3

## Schritt3

X3



4PCS



# Step4

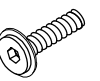
## Schritt4

S

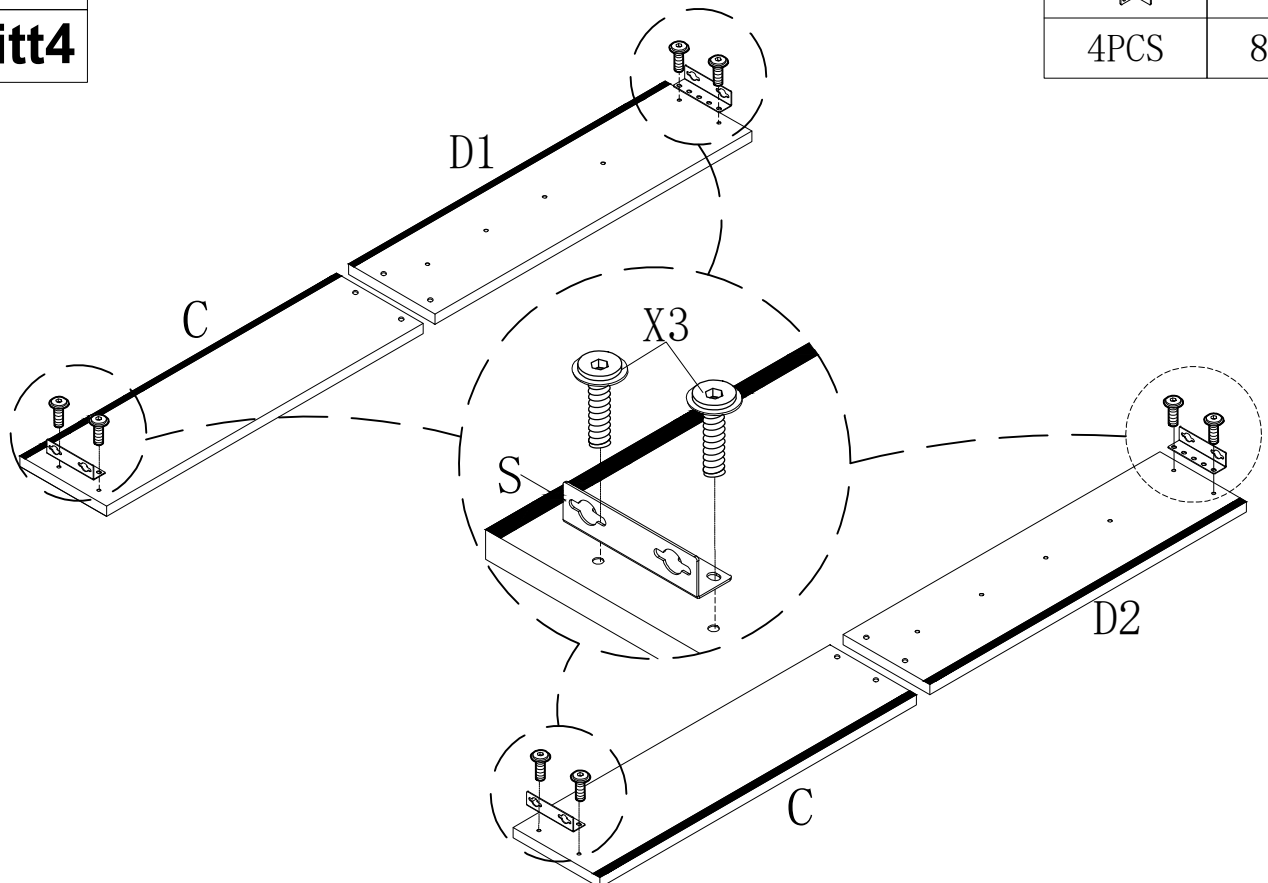


4PCS

X3



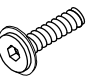
8PCS



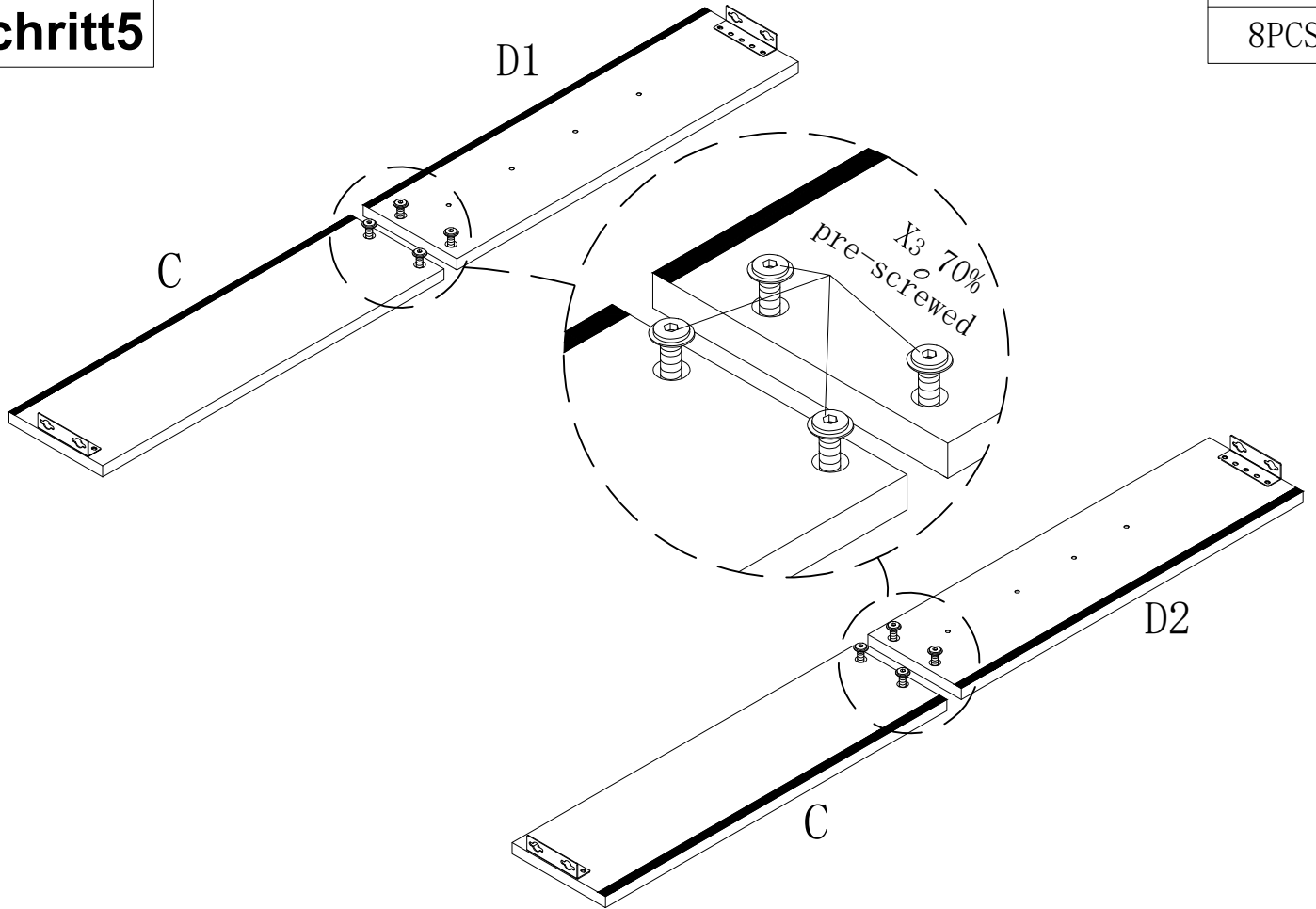
# Step5

## Schritt5

X3



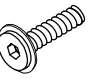
8PCS



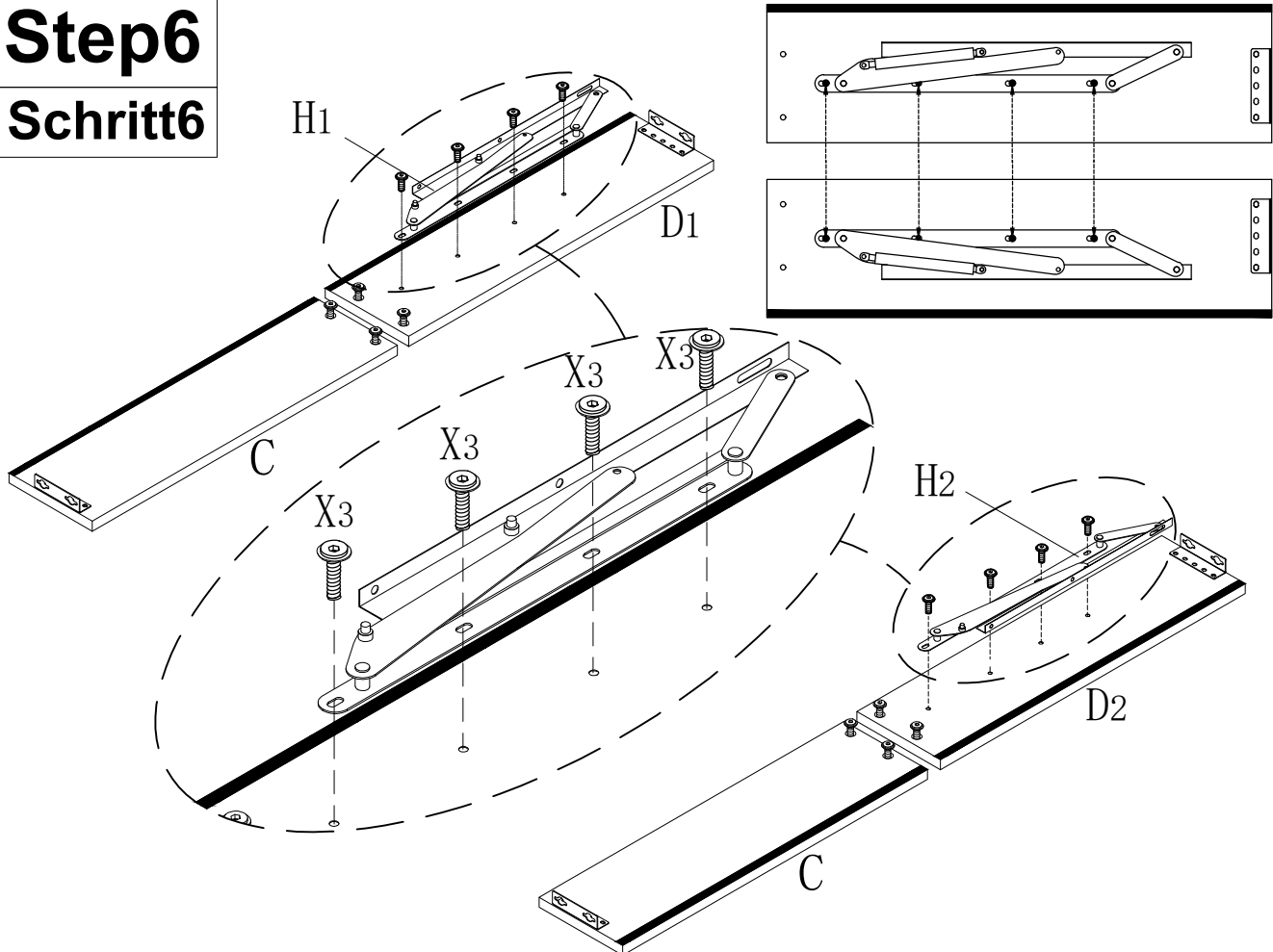
# Step6

## Schritt6

X3


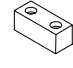




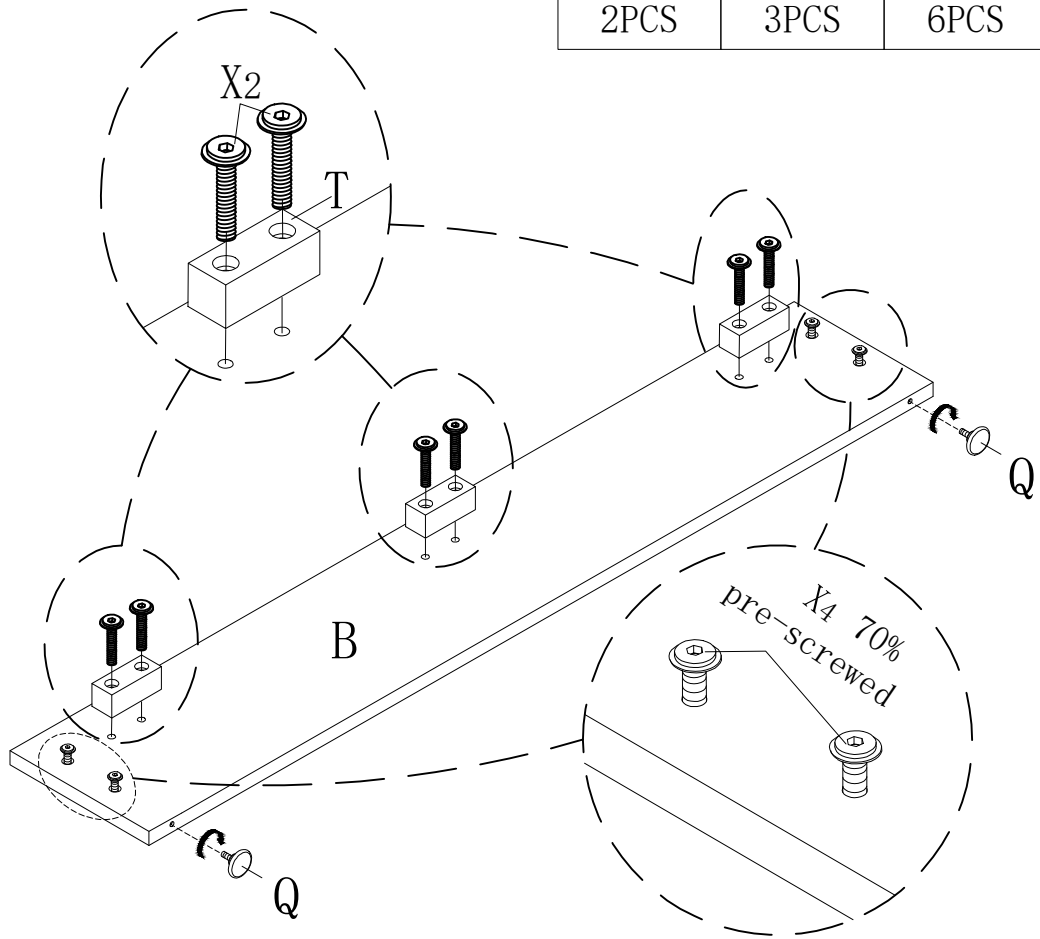
8PCS



# Step7


## Schritt7

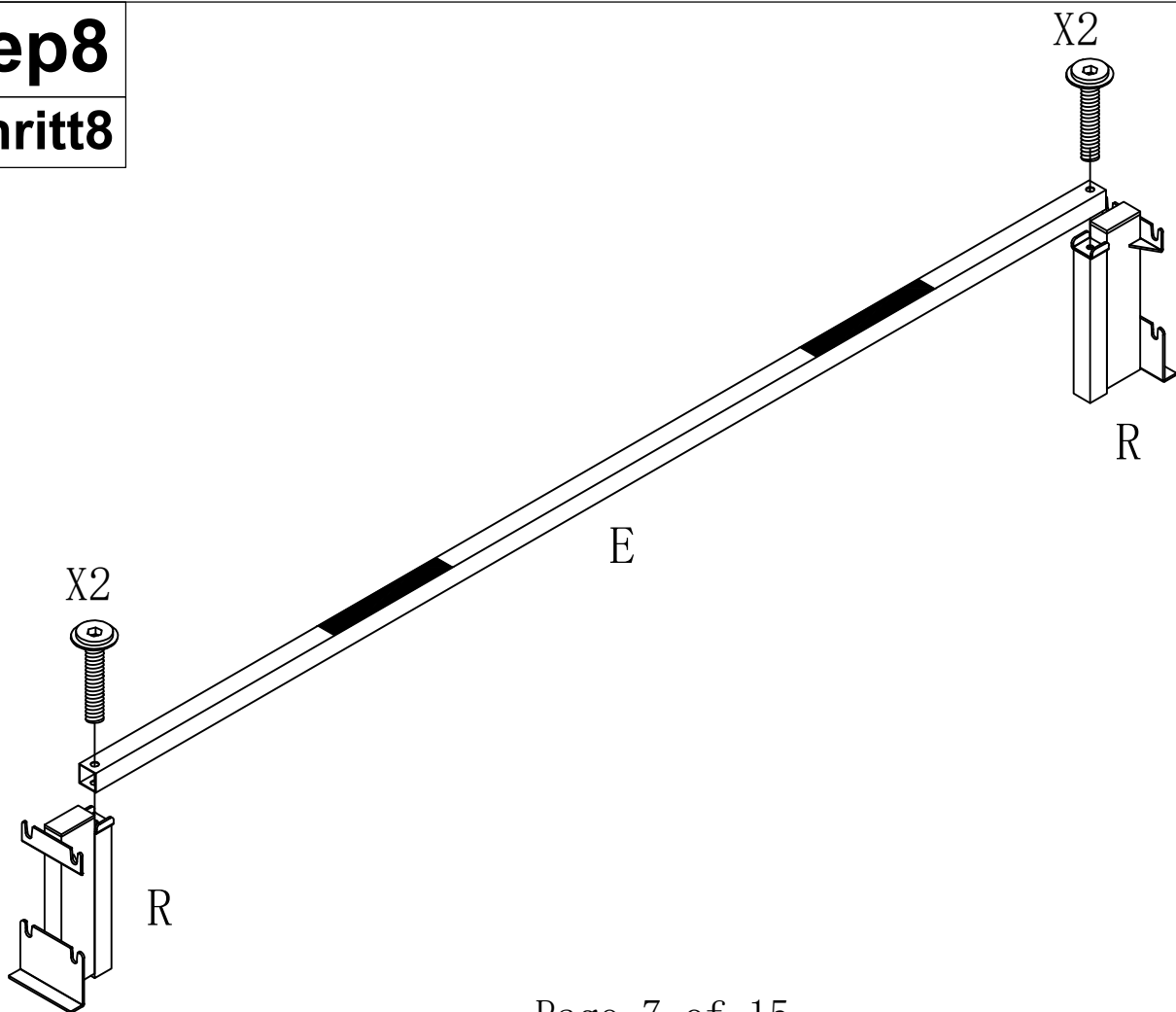
Q	T	X2	X4
			
2PCS	3PCS	6PCS	4PCS



# Step8

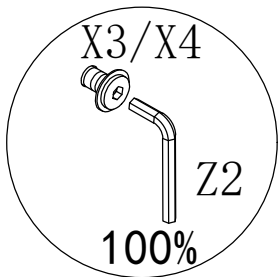
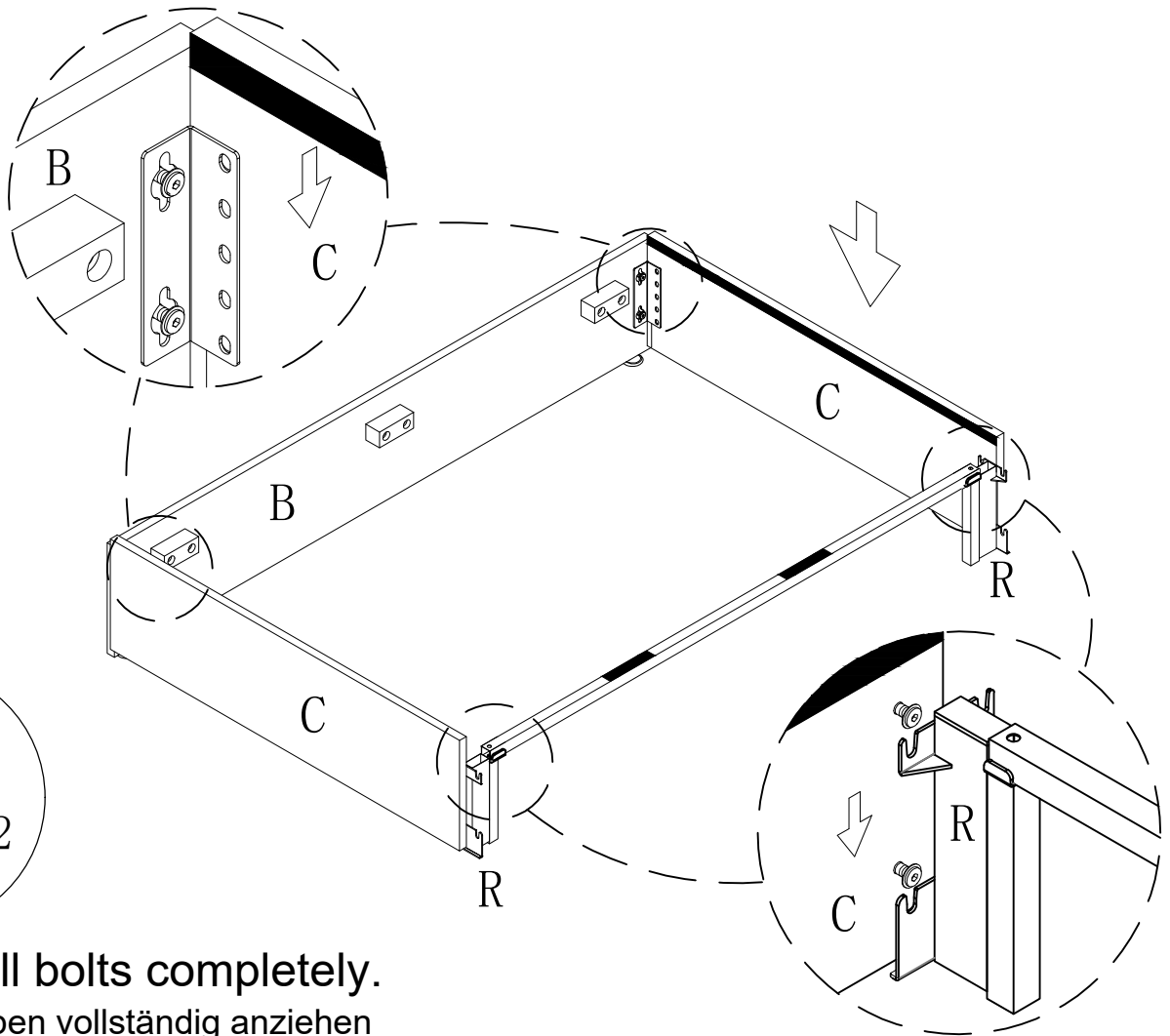
## Schritt8

X2

2PCS



# Step9

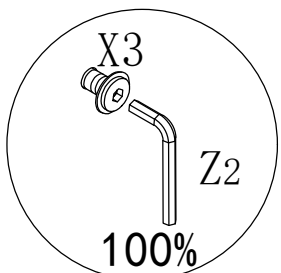
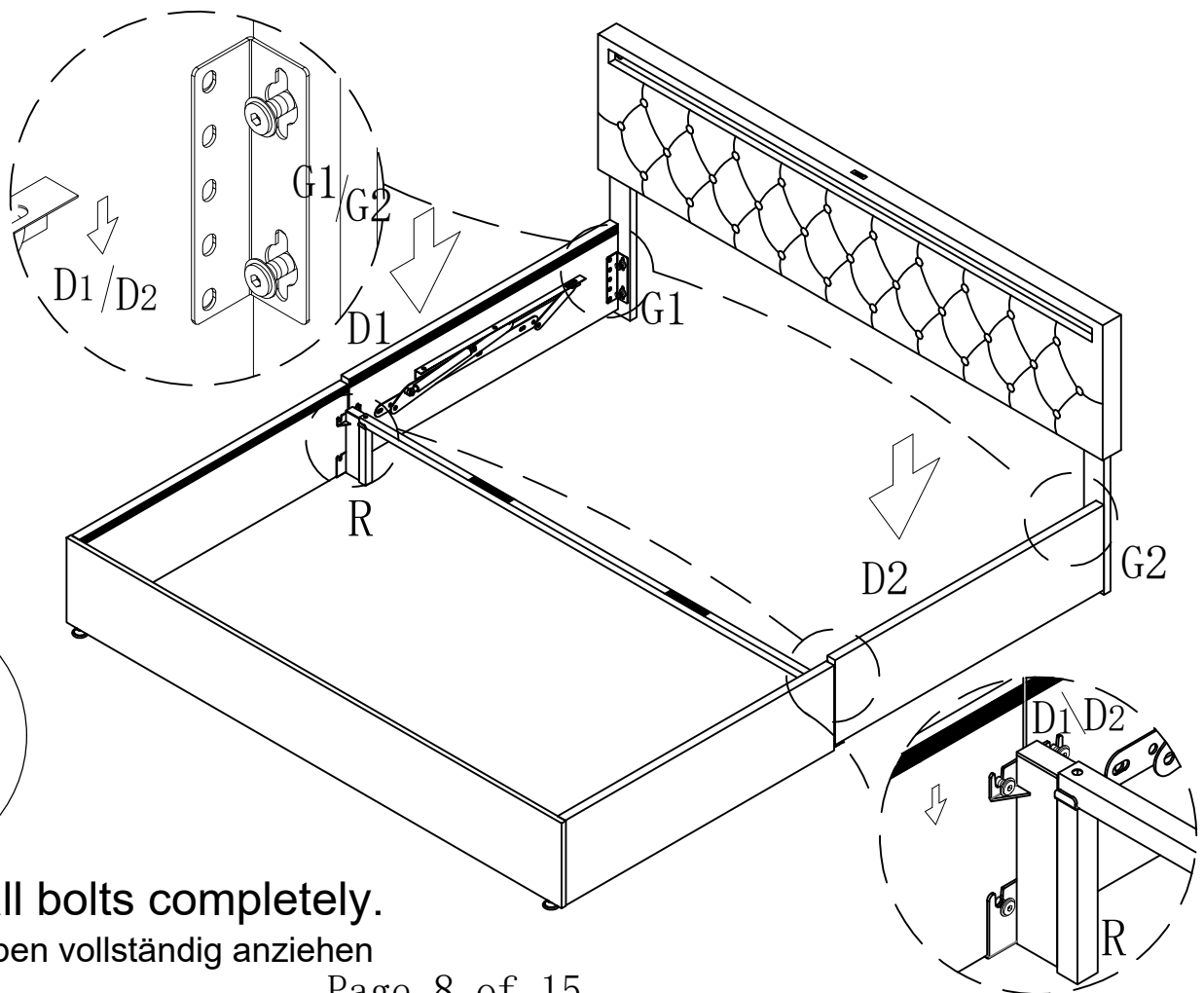
## Schritt9



※Tighten all bolts completely.  
Alle Schrauben vollständig anziehen

# Step10

## Schritt10



※Tighten all bolts completely.  
Alle Schrauben vollständig anziehen



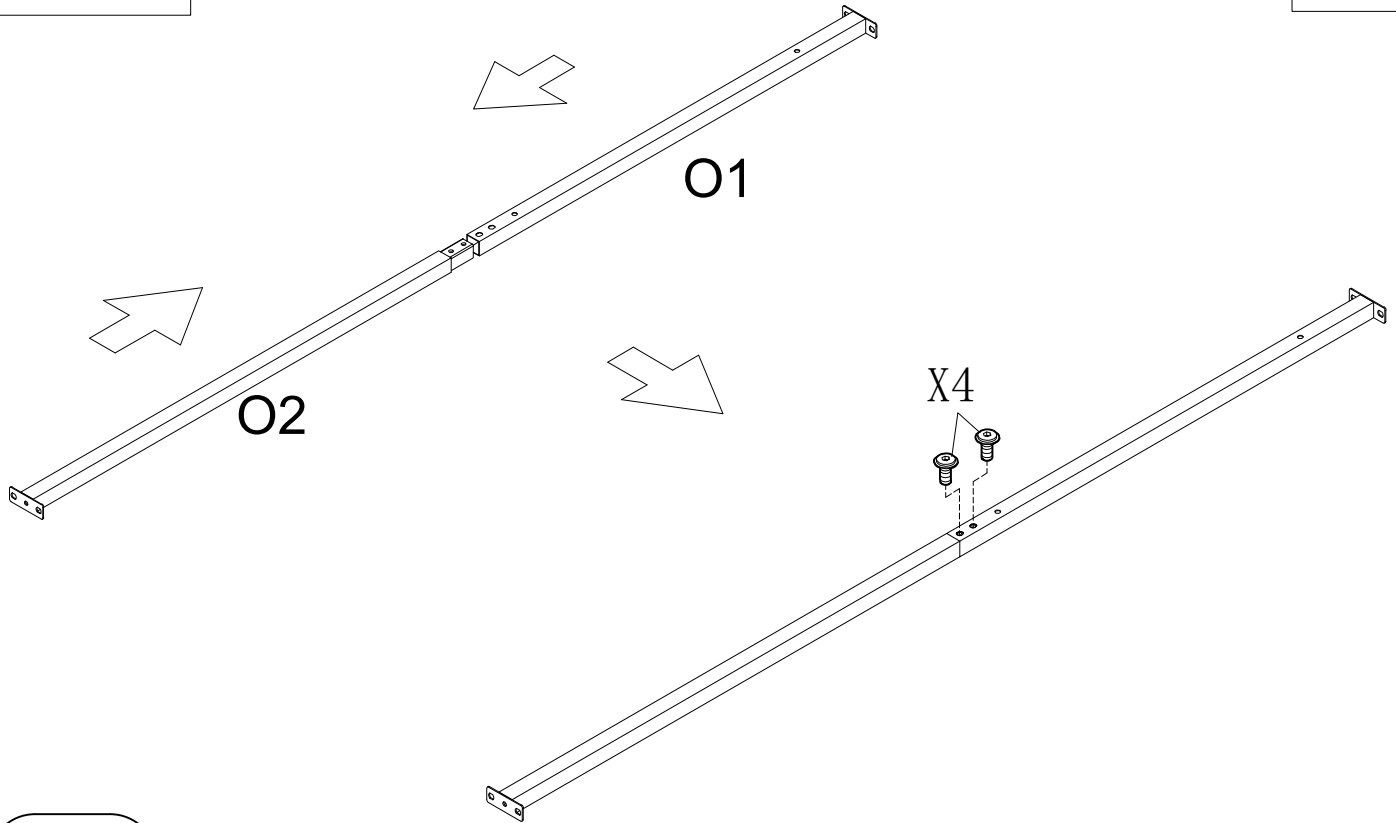
# Step 11

Schritt 11

X4



4PCS



X2

# Step 12

Schritt 12

V

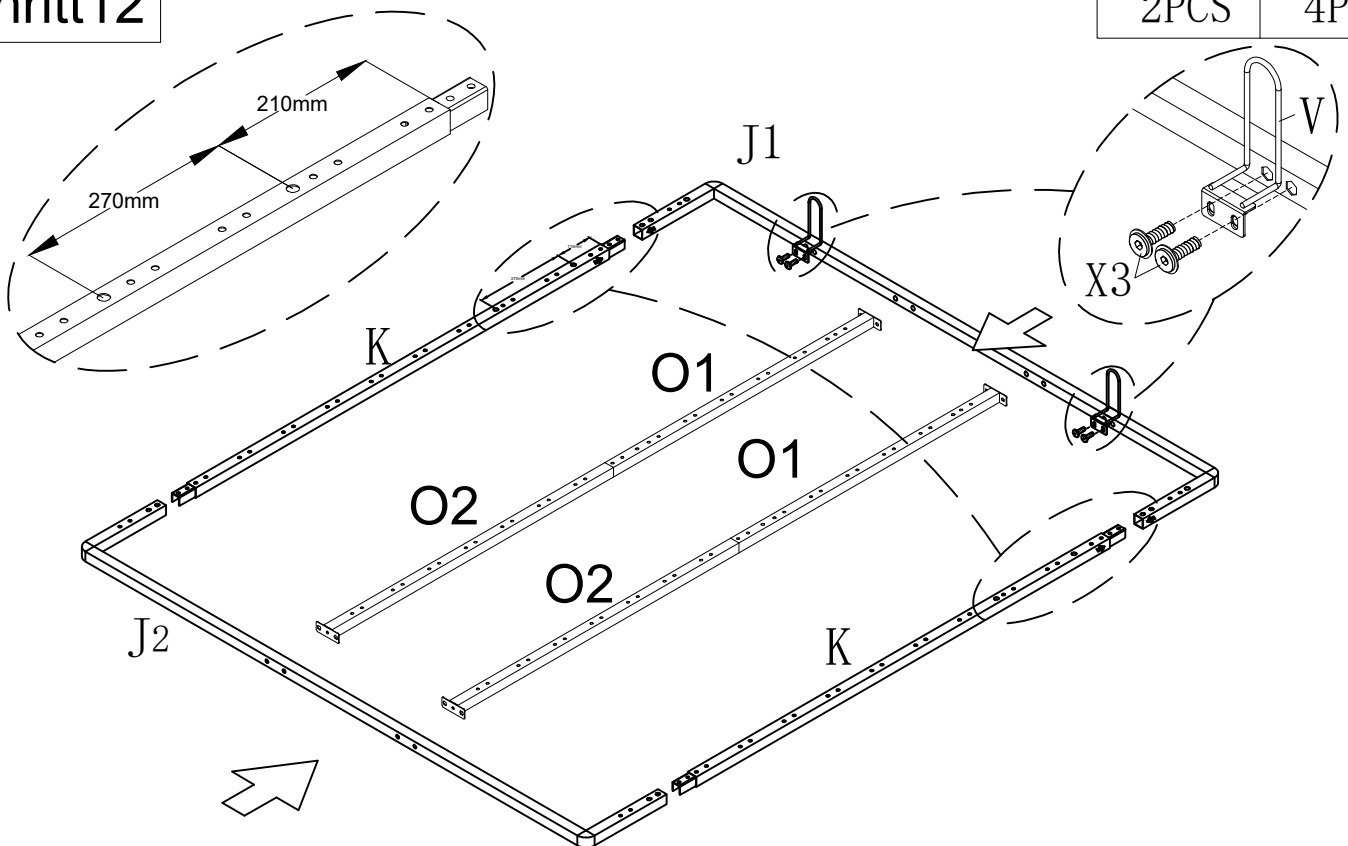


2PCS

X3

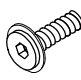
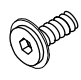


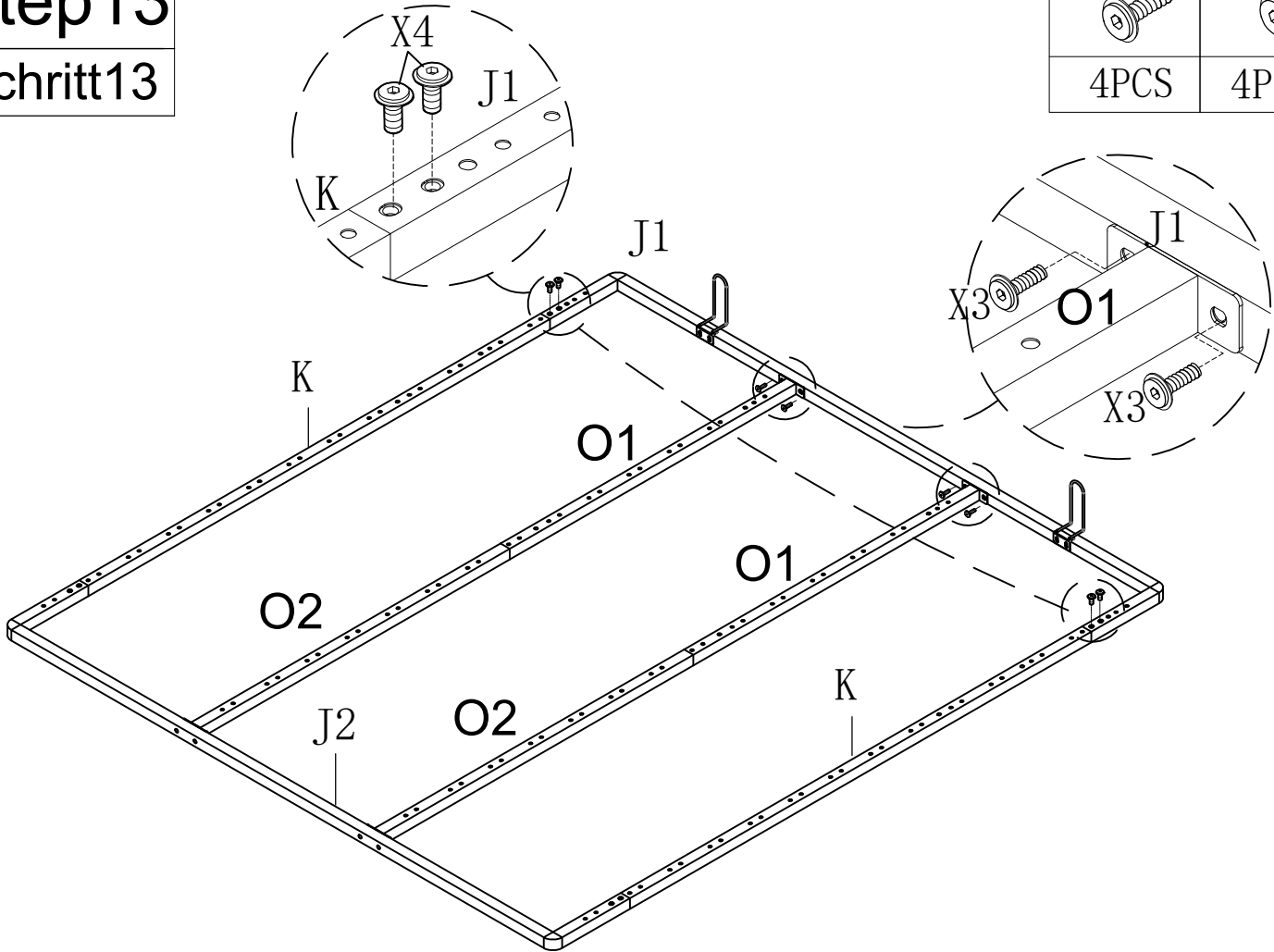
4PCS



# Step 13

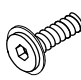
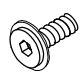
Schritt 13

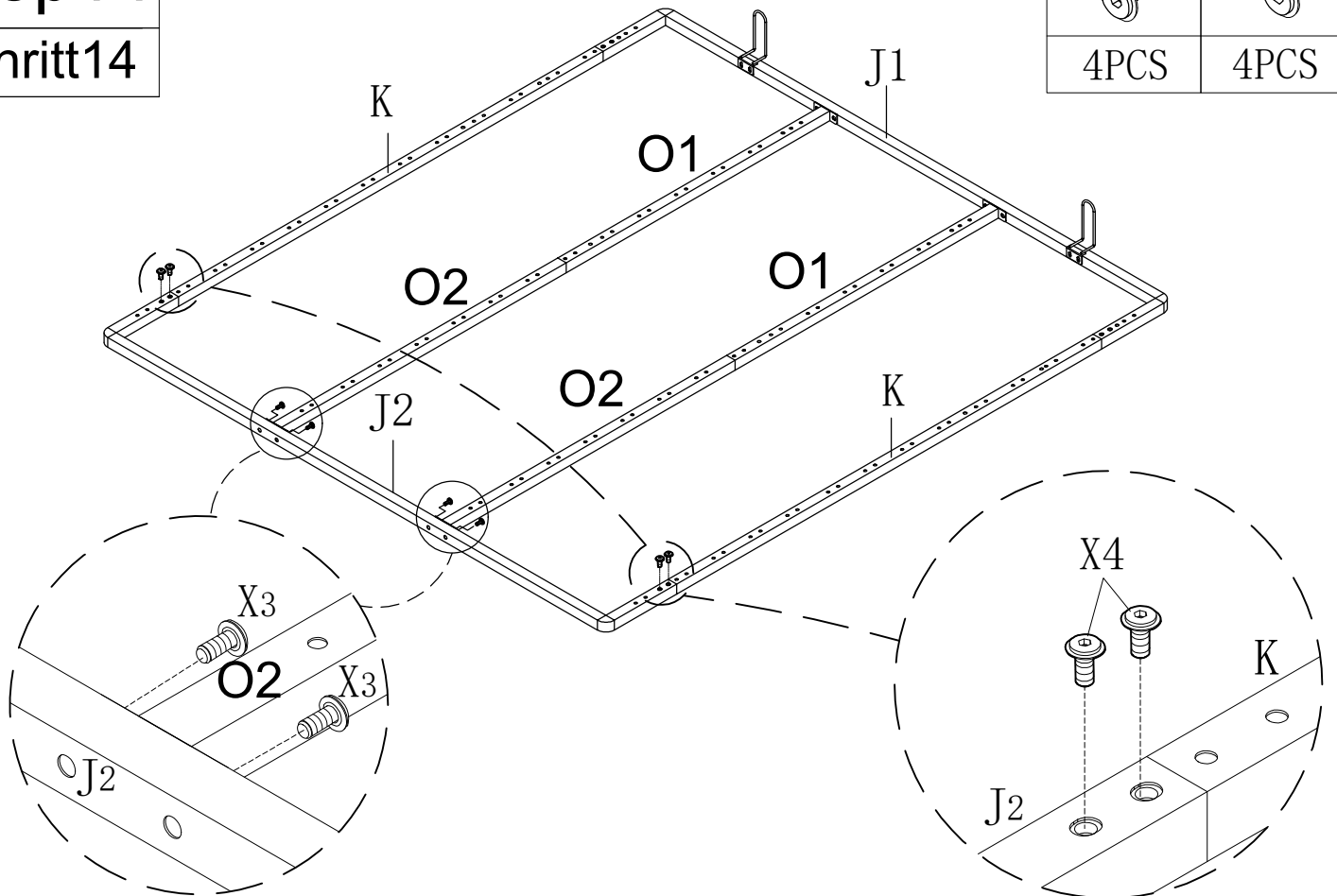
X3		X4	
	4PCS		4PCS



# Step 14

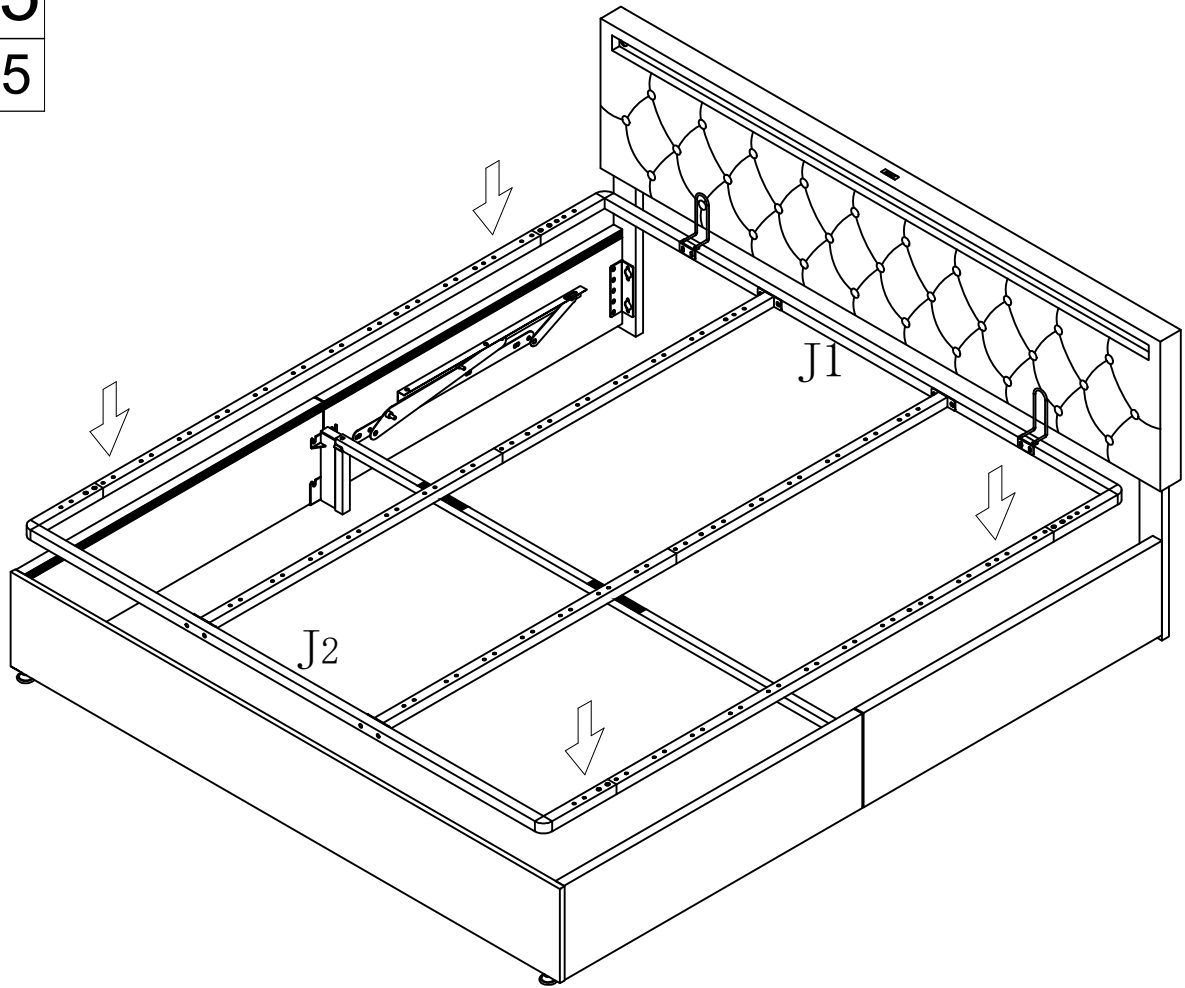
Schritt 14

X3		X4	
	4PCS		4PCS



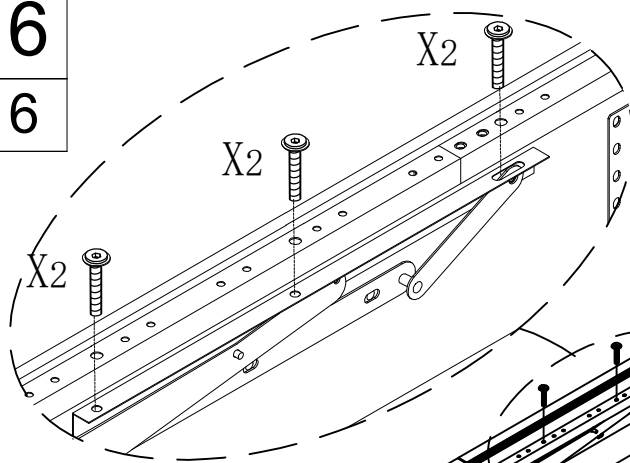
# Step 15

Schritt 15



# Step 16

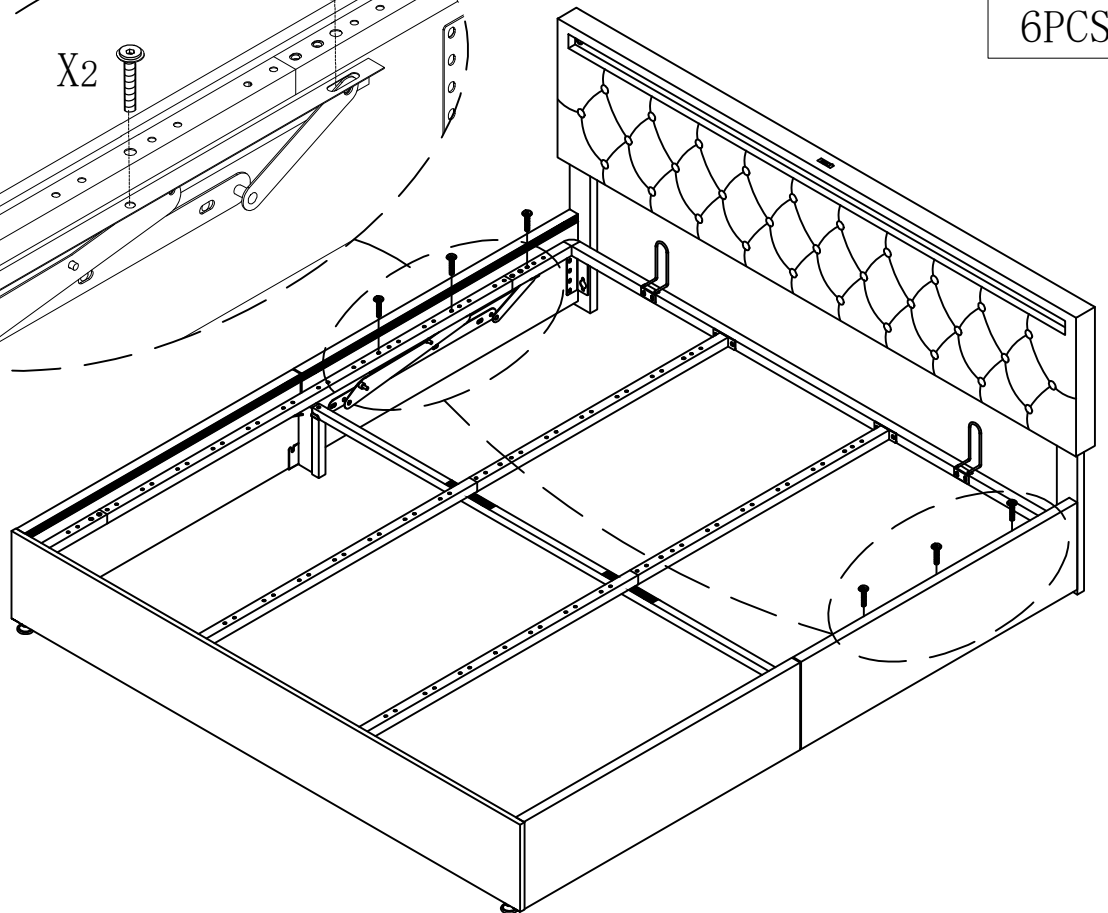
Schritt 16



X2



6PCS



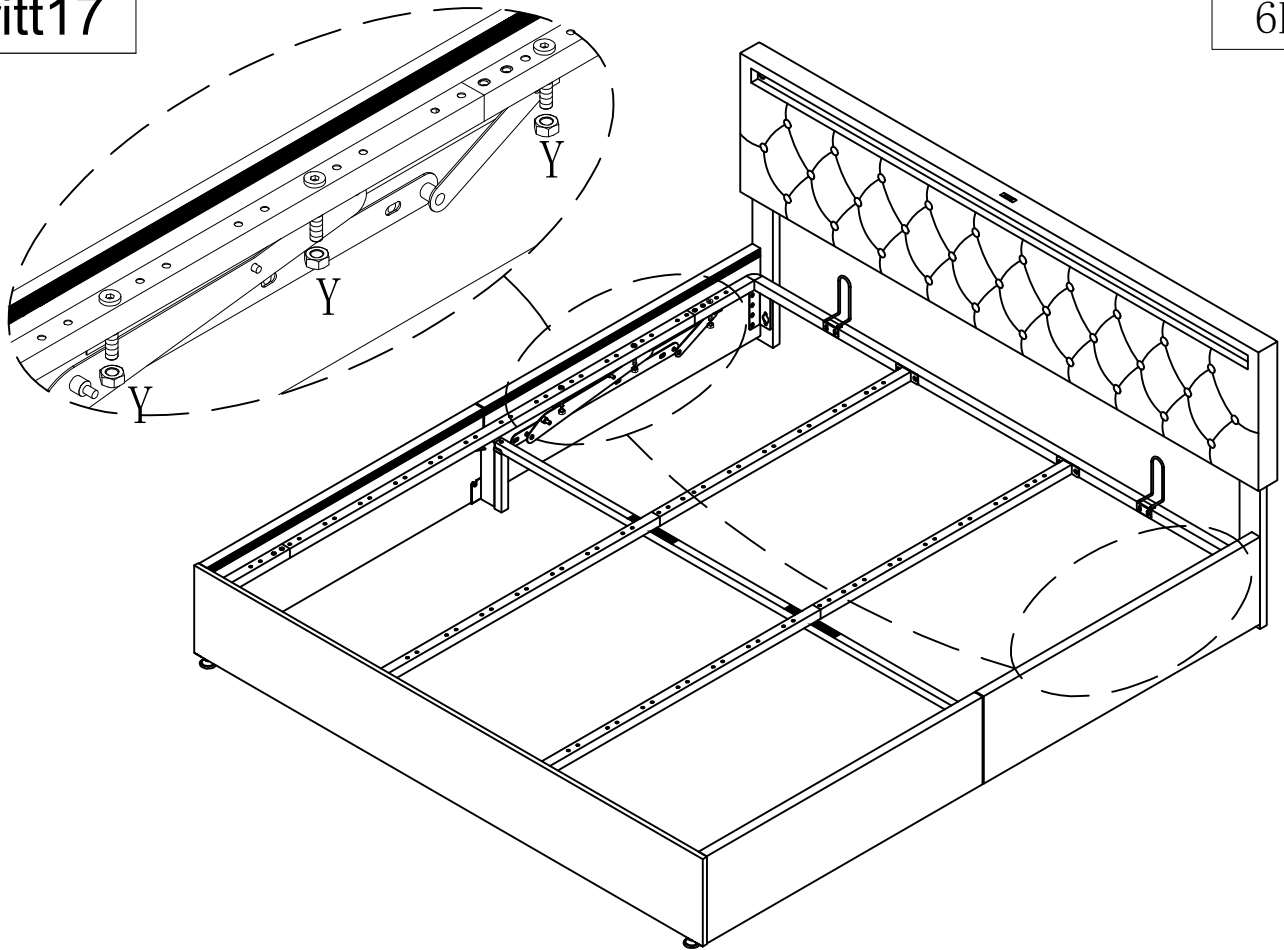
# Step 17

Schritt 17

Y



6PCS



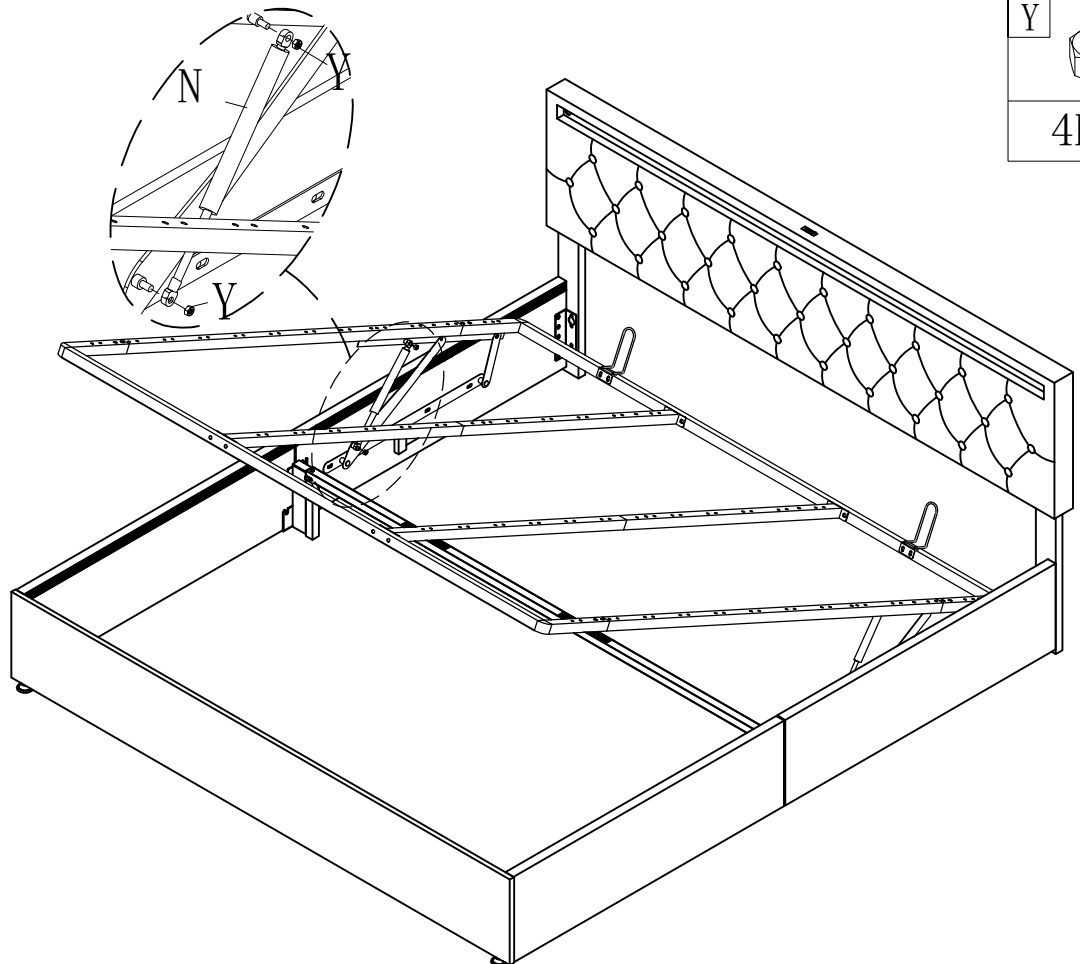
# Step 18

Schritt 18

Y

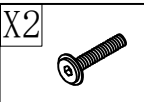
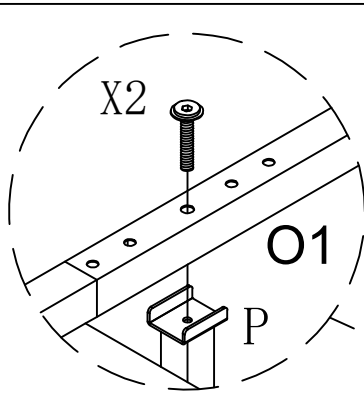


4PCS

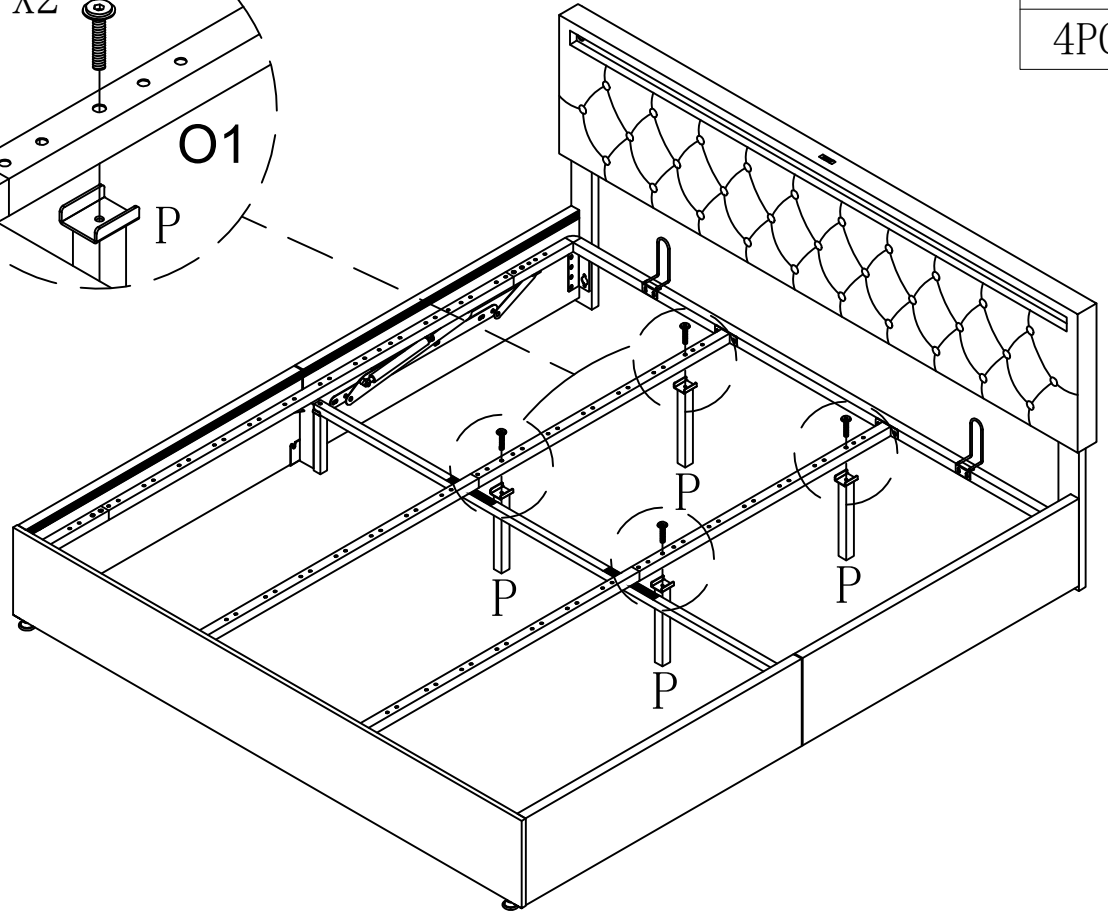


# Step19

Schritt19

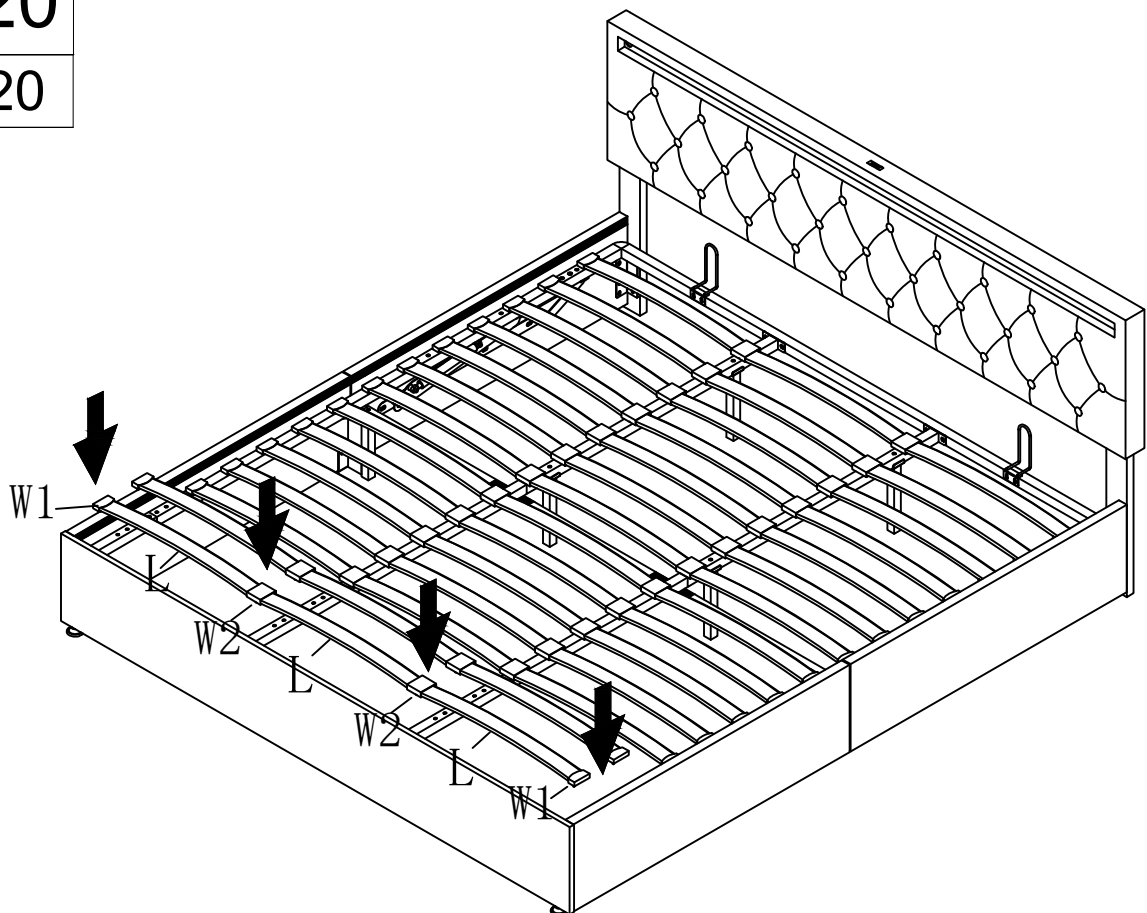


4PCS



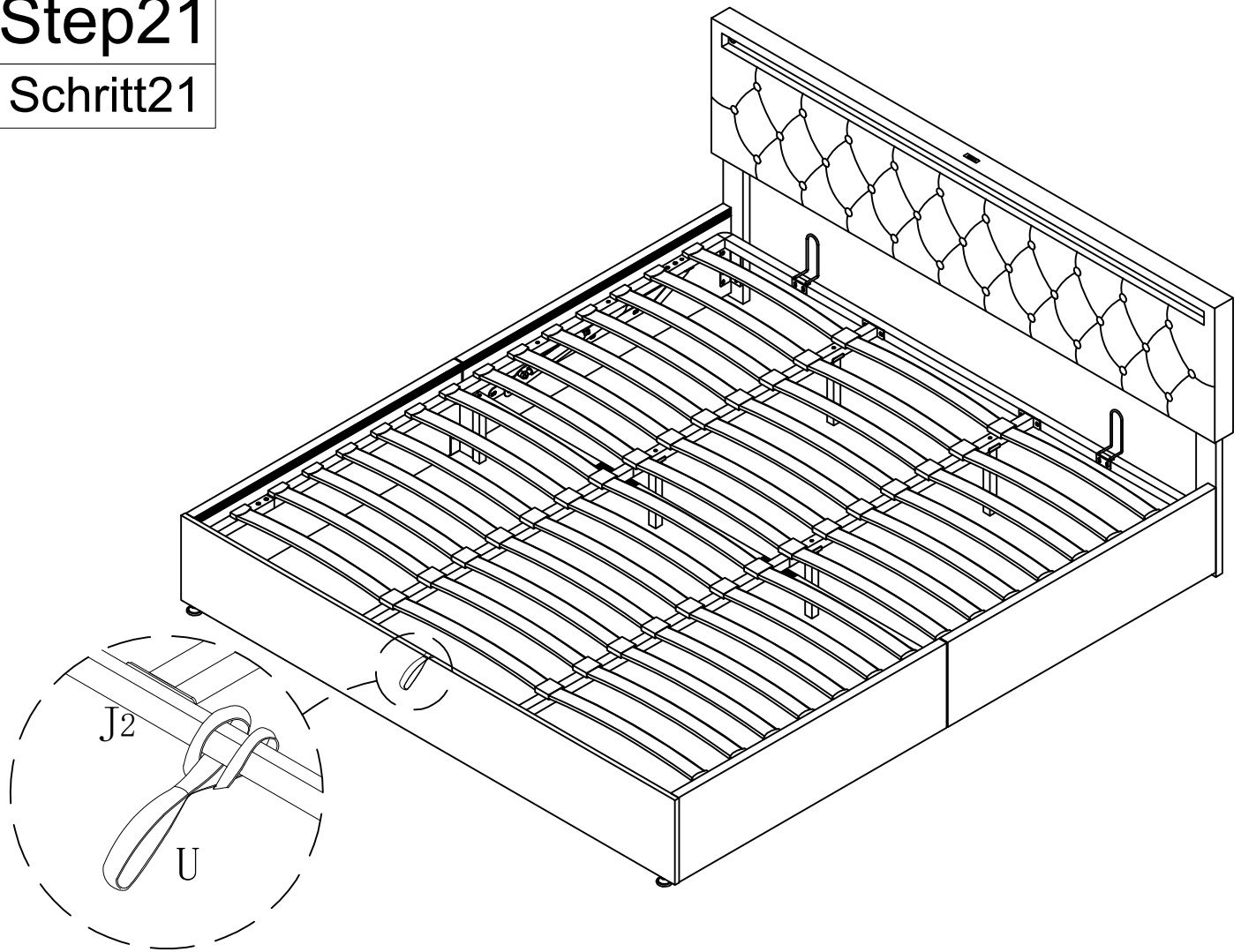
# Step20

Schritt20



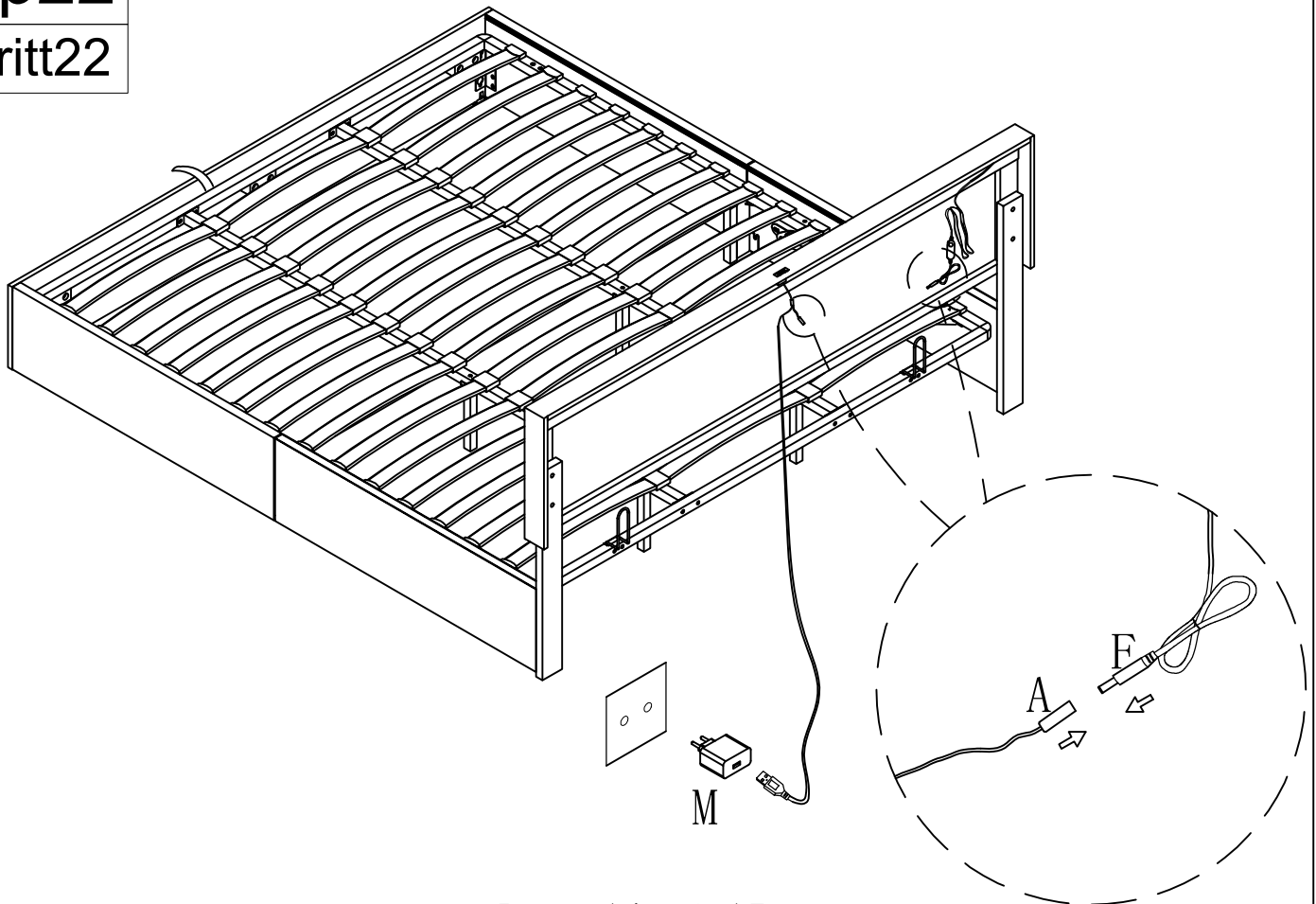
# Step21

Schritt21



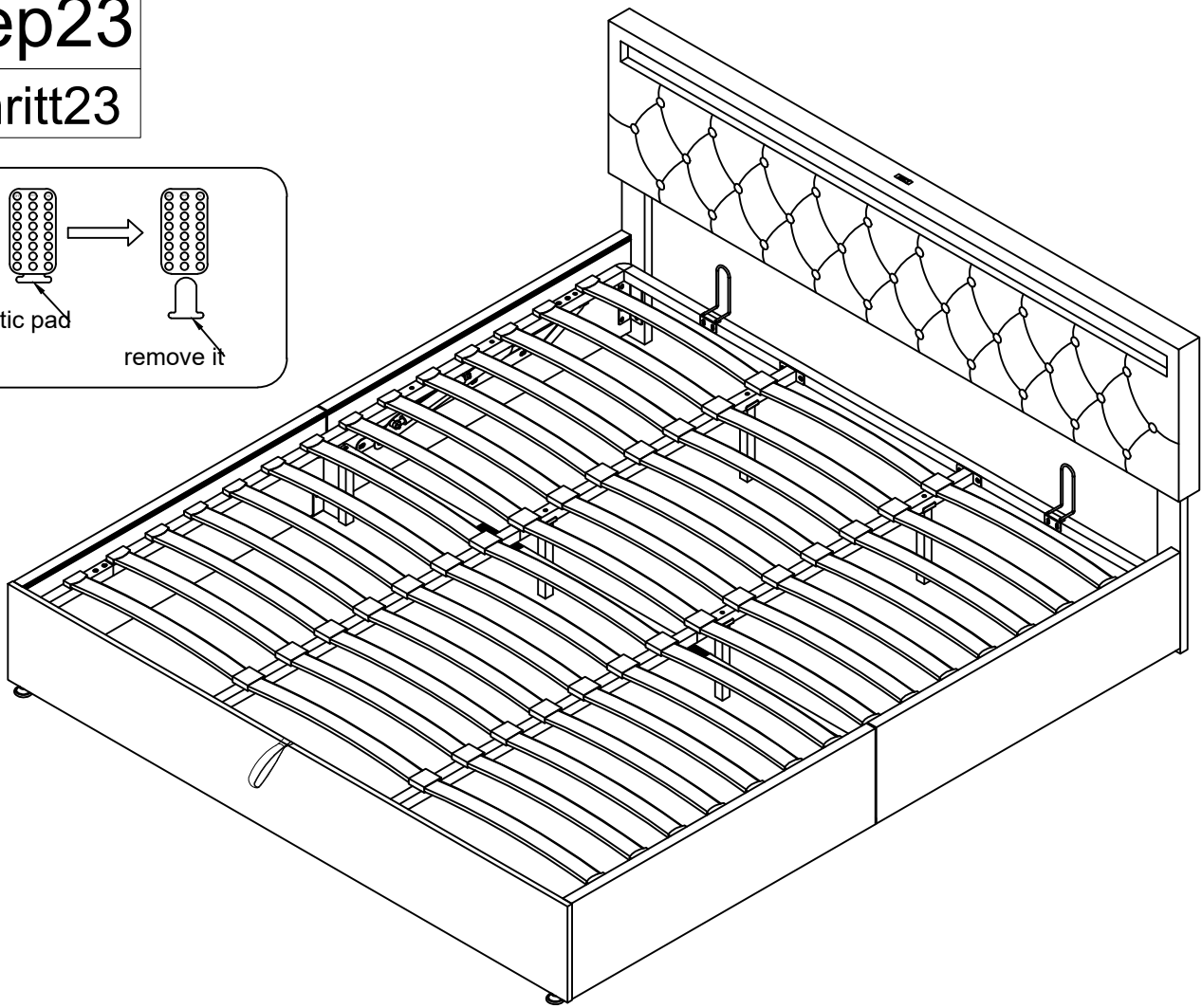
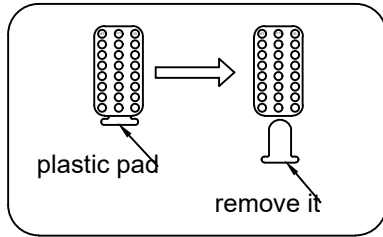
# Step22

Schritt22



# Step23

## Schritt23



### IMPORTANT NOTICE OTTOMAN OPERATING INSTRUCTIONS

Once your bed frame is completely assembled, the slat unit will not operate correctly unless a mattress is placed on the slat frame. Position the mattress on the slat frame whilst it is in the closed position.

**PLEASE NOTE** - It takes a lot of force to make the initial movement of the ottoman. This is a design feature of the product so that it does not fall shut - the nearer to being closed the ottoman is, the easier it is to move. When the ottoman is almost shut, it will close completely under its own weight.

When lowering the slat unit for the first time, take care to make sure it does not rub unevenly on the inside face of the side rails. If it does, the bed has been assembled slightly out of square. This can be rectified by moving the foot end of the bed slightly to the left or right whilst leaving the head end stationary.

#### PISTONS

The pistons used in the construction of this product are extremely strong and cannot be operated by hand when taken off the ottoman. All pistons are tested for correct pressure and operation before being attached to the slat unit.

Initially it might appear that the pistons are very stiff when opening and closing the ottoman.

#### THIS IS PERFECTLY NORMAL

When fully assembled and the mattress is in position, please raise and lower the ottoman 4/5 times to ensure the gas piston are fully lubricated.

