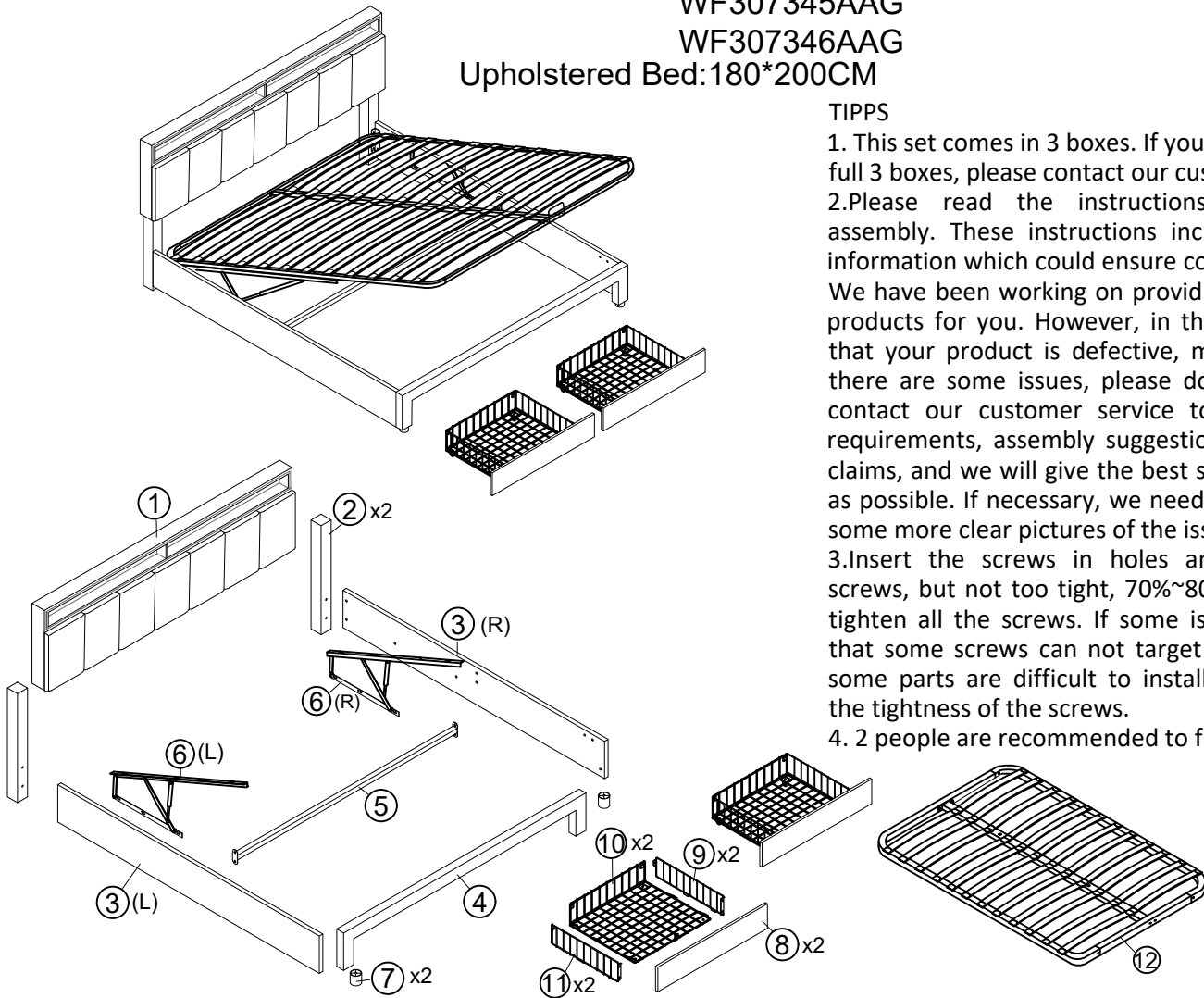


# ASSEMBLY INSTRUCTION

Item Number : WF307344AAG  
 WF307345AAG  
 WF307346AAG  
 Upholstered Bed:180\*200CM



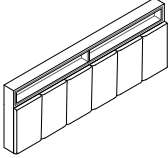
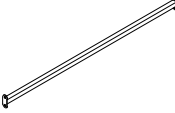
## TIPPS

1. This set comes in 3 boxes. If you don't receive a full 3 boxes, please contact our customer service.
2. Please read the instructions fully before assembly. These instructions include important information which could ensure correct assembly. We have been working on providing high quality products for you. However, in the rare instance that your product is defective, missing parts or there are some issues, please don't hesitate to contact our customer service to submit parts requirements, assembly suggestion, or warranty claims, and we will give the best solution as soon as possible. If necessary, we need you to provide some more clear pictures of the issue.
3. Insert the screws in holes and tighten the screws, but not too tight, 70%~80% is ok, finally tighten all the screws. If some issues happened that some screws can not target to the hole or some parts are difficult to install, please adjust the tightness of the screws.
4. 2 people are recommended to finish.

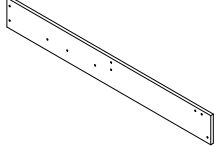
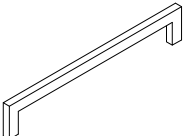
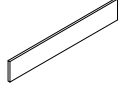
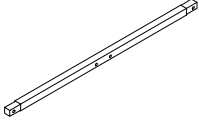
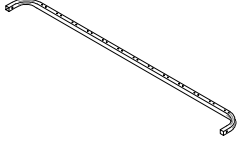
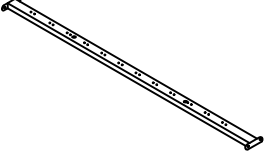
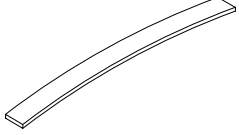
Parts List			Hardware List		
NO	ITEM	QTY	NO	ITEM	QTY
1	Head board	1	A	Allen Key(M5)	1
2	Head board legs	2	B	Bolts (M8x45mm)	18
3	Siderails	2	C	Hinge	2
4	Foot board	1	D	Bolts (M8x18mm)	32
5	Cross bar	1	E	Little "7" Connector	2
6	Gas lift	2	F	Metal Corner	2
7	Bed legs	2	G	Nails (M4x50mm)	2
8	Drawer outer board	2	H	"7" Connector	1
9	Drawer board	2	I	Nuts	4
10	Drawer board	2	J	Spanner	1
11	Drawer board	2	K	Nuts	14
12	Slat frame	1	L	Middle slats cap	12
			M	End slats cap	24
			N	Stopper	1
			O	Wheel	8
			P	Nails	8
			Q	Bolts (M6x15mm)	14
			R	Nuts(M6)	4
			S	Allen Key(M4)	1
			T	Power adapter	1
			U	Color controller	1

# Part List


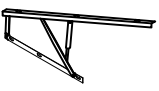
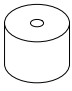
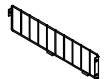
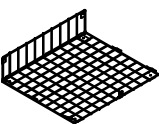

WF307344AAG

<p><b>1</b></p>  <p>Head board -1pc</p>	<p><b>5</b></p>  <p>Cross bar -1pc</p>
--	---

WF307345AAG

<p><b>3</b></p>  <p>Side rails -2pcs</p>	<p><b>4</b></p>  <p>Foot board -1pc</p>	<p><b>8</b></p>  <p>Drawer outer board -2pcs</p>
<p><b>12.1</b></p>  <p>Metal frame cross bar -2pcs</p>	<p><b>12.2</b></p>  <p>Metal frame side bar -2pcs</p>	<p><b>12.3</b></p>  <p>Metal frame middle bar -1pc</p>
<p><b>12.4</b></p>  <p>Slat -24pcs</p>		

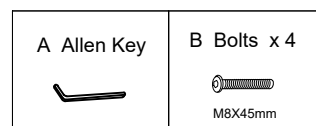
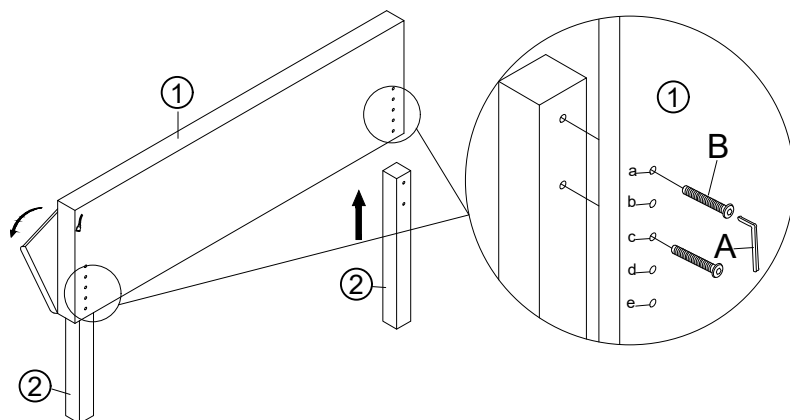
Hardware List+WF307346AAG

<p><b>2</b></p>  <p>Head board legs -2pcs</p>	<p><b>6</b></p>  <p>Gas lift-2pcs</p>	<p><b>7</b></p>  <p>Bed legs -2pcs</p>
<p><b>9</b></p>  <p>Drawer board -2pcs</p>	<p><b>10</b></p>  <p>Drawer board -2pcs</p>	<p><b>11</b></p>  <p>Drawer board -2pcs</p>

Attention: Do not tighten the screws before completing the entire installation. If you have any difficulty with the installation process, please feel free to contact us.

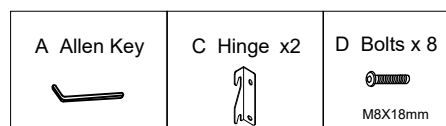
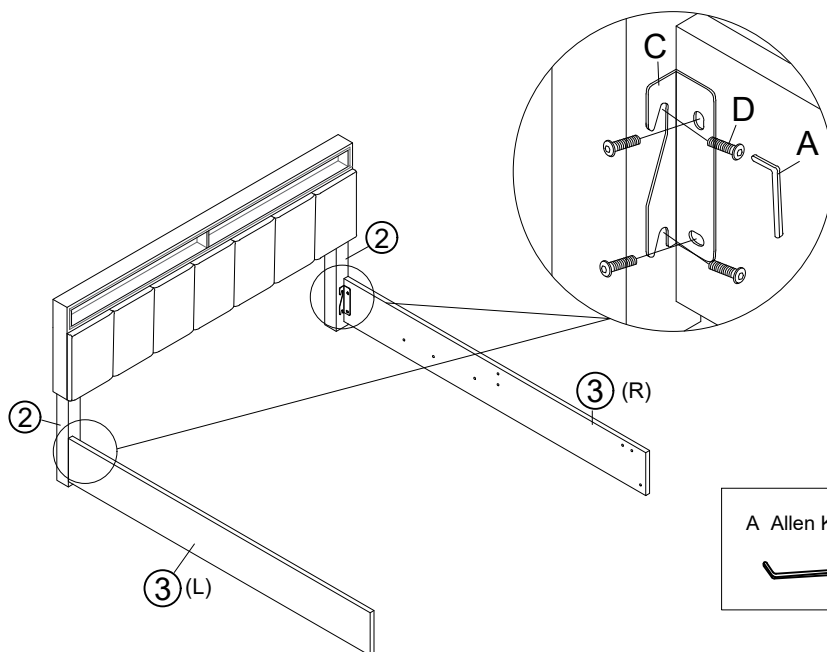
## Step 1 x2

Fix the Headboard legs ② to the Headboard ① with Bolts B by using Allen key A. You can chose the holes a and c ,b and d or c and e. For easy installation, please open the headboard cover first.



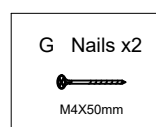
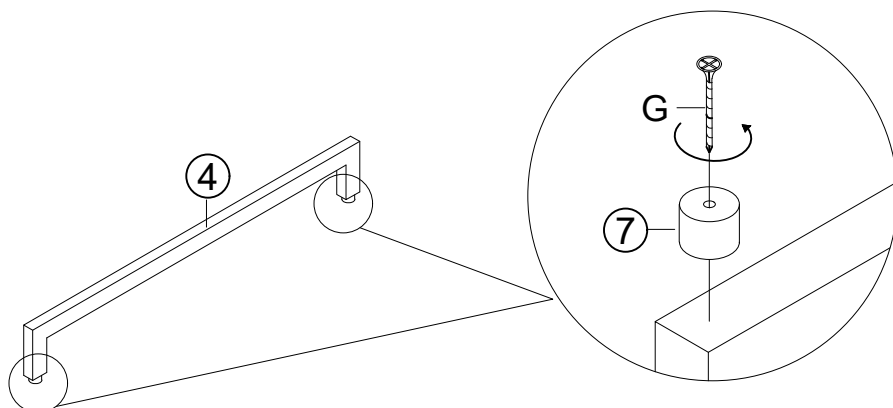
## Step 2 x2

Fix the side rails ③ to the side head board legs ② with Bolts D and Hinges C by using Allen key A



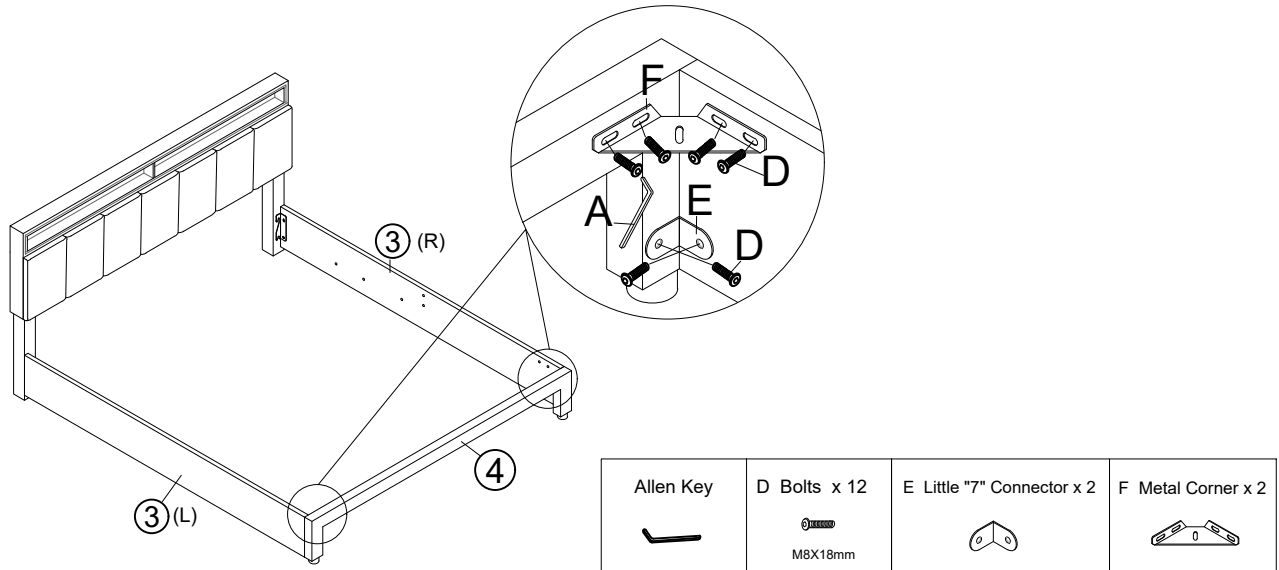
## Step 3 x2

Fix the legs ⑦ to the foot board ④ with Nails G by using electric drill or screw driver



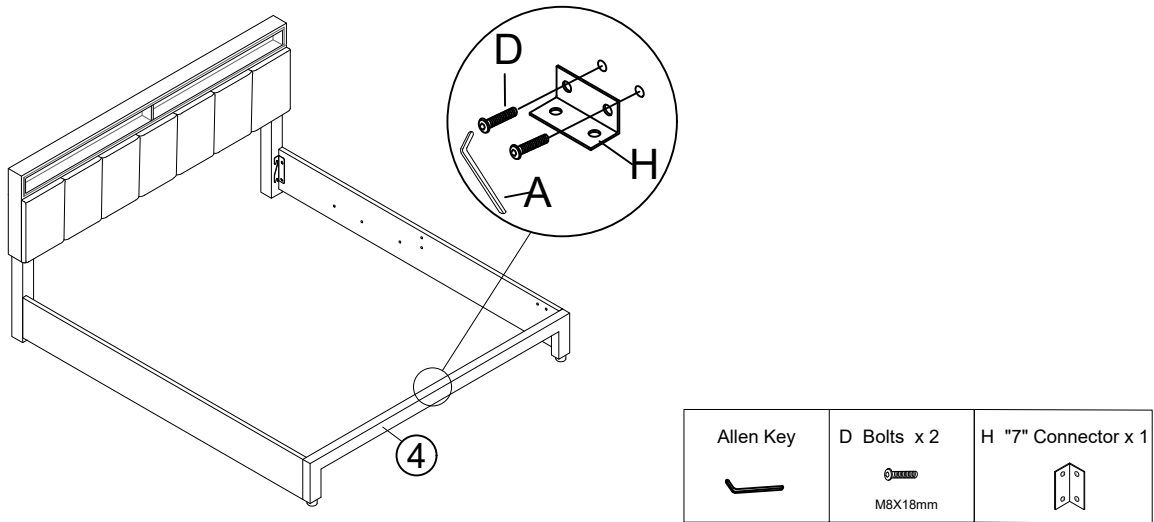
## Step 4

Fix the Siderails ③ to the footboard ④ with Metal corner F, Little "7" Connector E and Bolt D by using Allen key A.



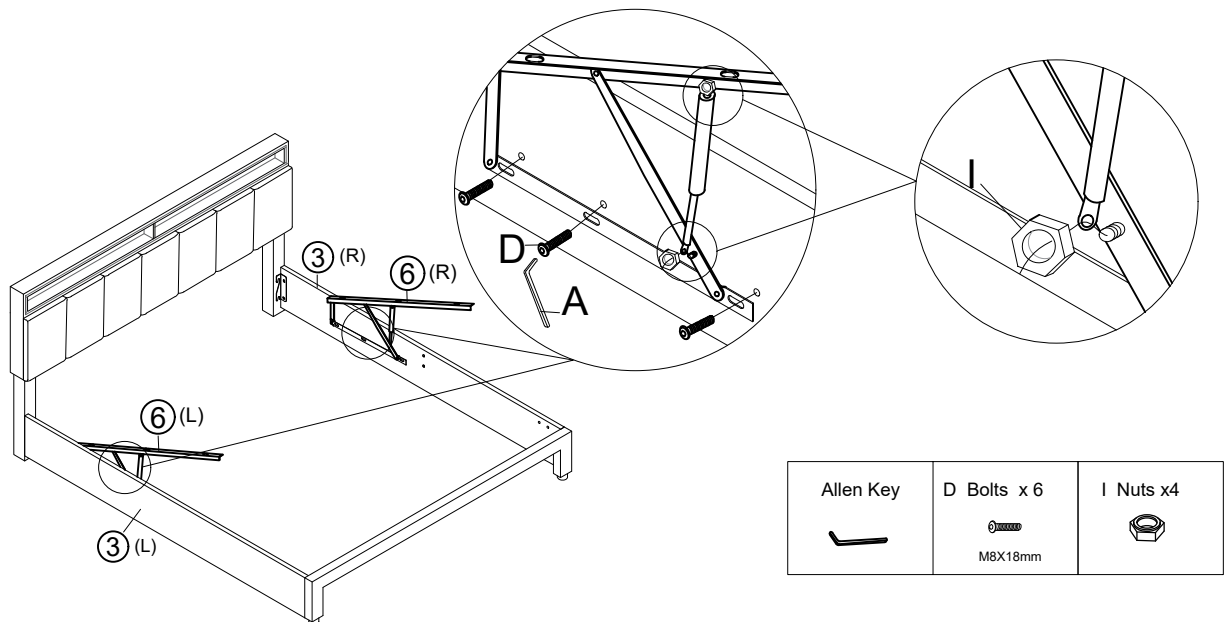
## Step 5

Fix the "7" Connector H to the footboard ④ with Bolt D by using Allen key A.



## Step 6

Fix the gas lifts ⑥ to the Siderails ③ with Bolts D by using Allen Key A or electric drill. fix the gas bar to the gas lifts ⑥ with Nuts I.

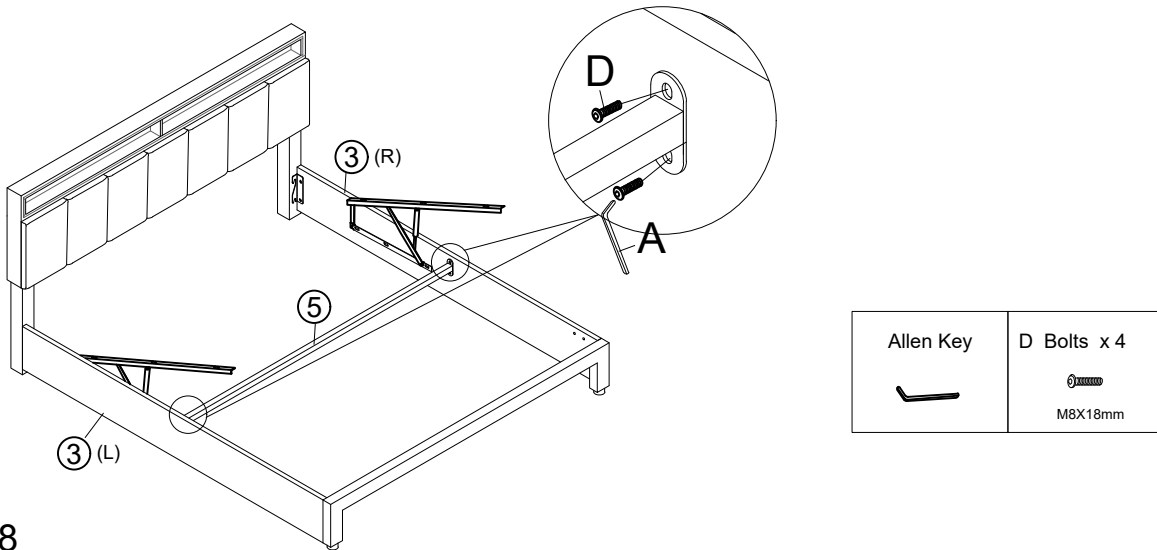


### NOTICE:

The hole on the gas list is oval, please make sure that Please ensure that the installation positions on the left and right are roughly the same, if you accidentally install the gas lift one side to the front and the other to the back, which affects your use, you can write it down and reinstall it.

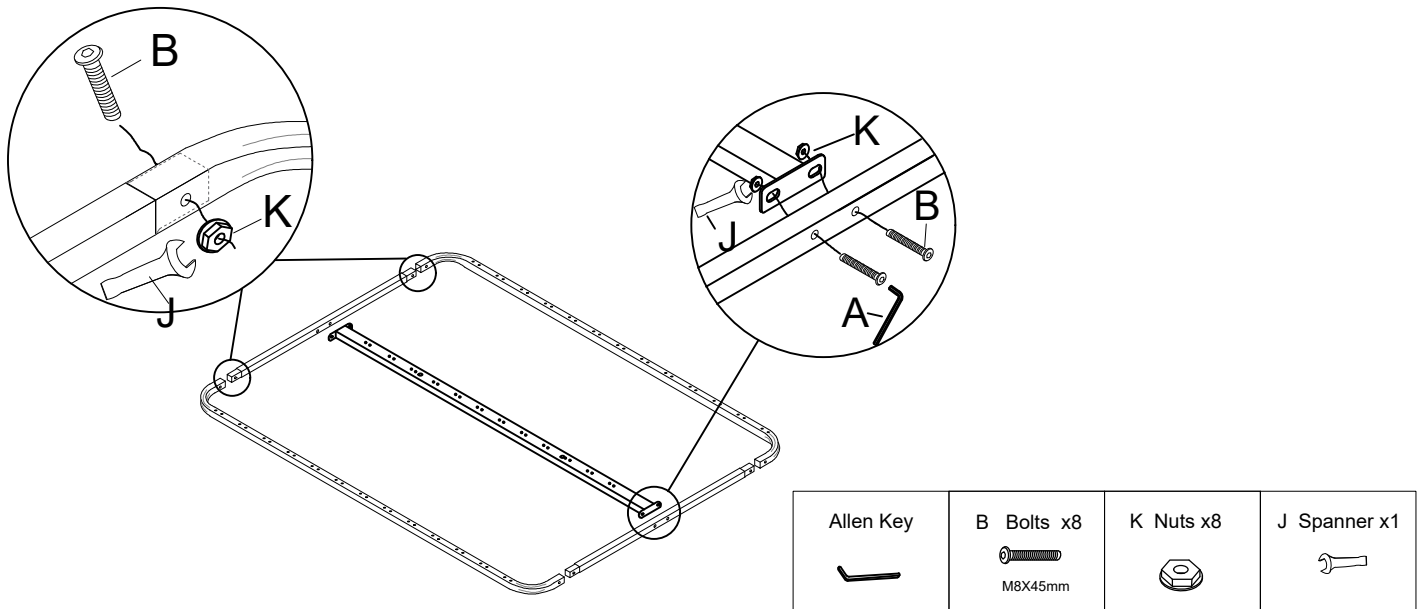
## Step 7

Fix the cross bar ⑤ to the Siderails ③ with Bolts D by using Allen Key A.



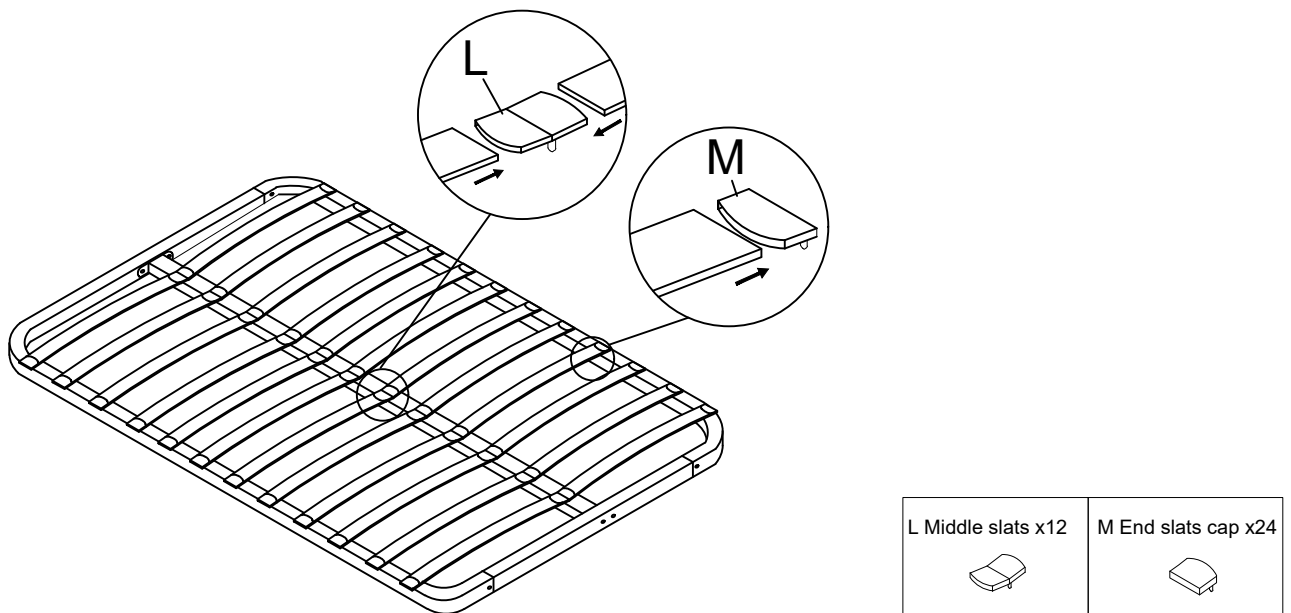
## Step 8

Assemble the slats frame with Bolts B and Nuts K by using Spanner J and Allen Key A.



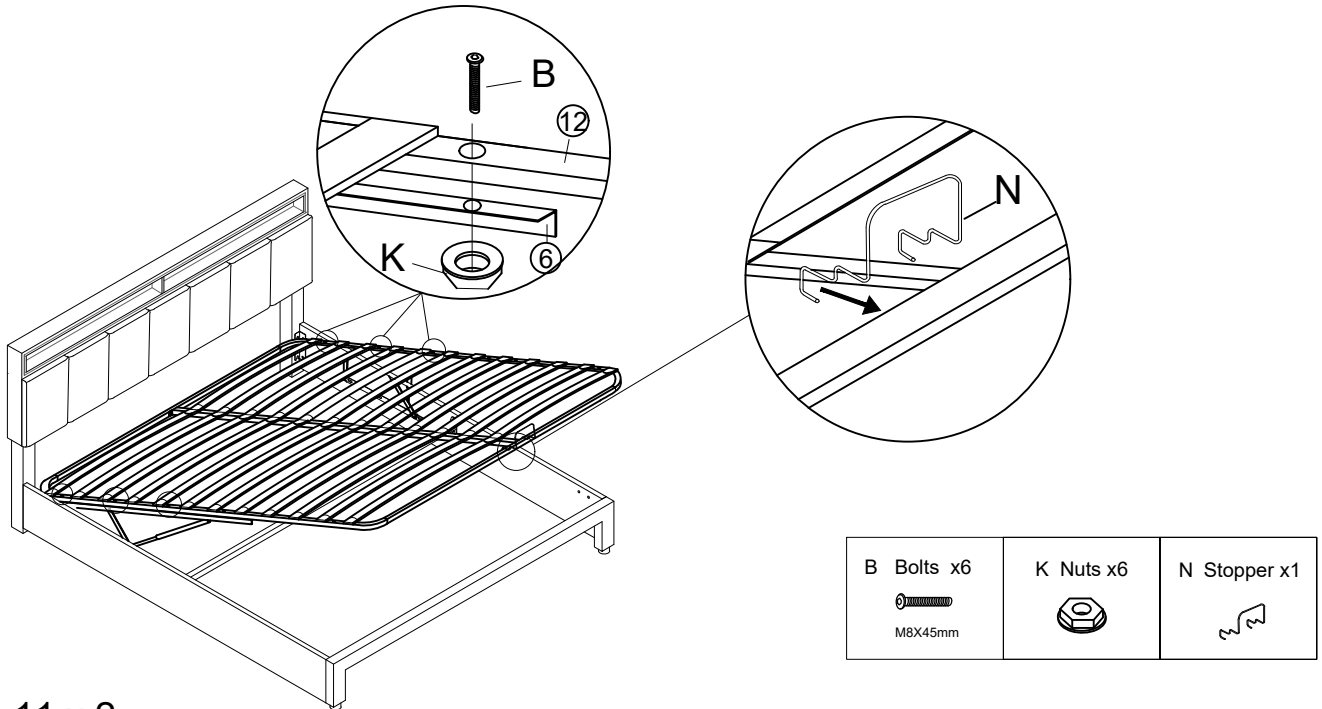
## Step 9

Assemble the slats into the assembled slats frame with middle slats cap L and end slats cap M.



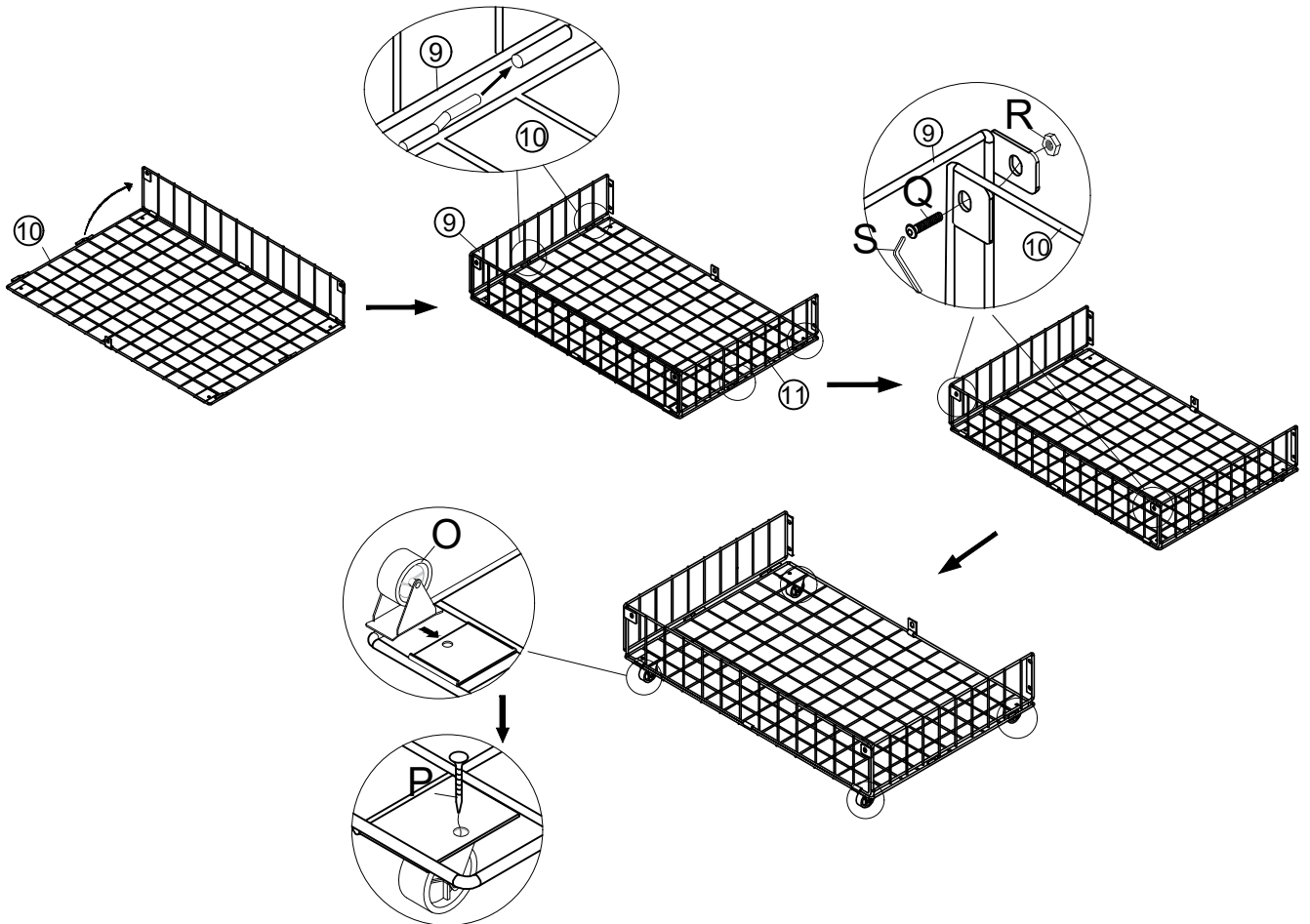
## Step 10

Assemble the slats frame ⑫ to the gas lifts ⑥ with Bolts B and Nuts K, put the stopper N in the end of the slat frame.



## Step 11 x 2

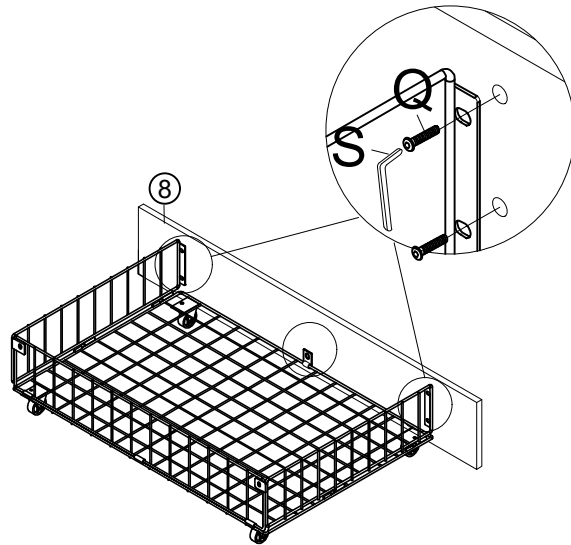
At first, fold the Drawer board ⑩, then put Drawer board ⑨ and ⑪ into board ⑩ and fix it with Bolts Q and Nuts R by using Allen Key S. At last, fix the Drawer Wheel O to the drawer with Nails P.





O Drawer wheel x 8	P Nails x 8	Q Bolts x 4 M6X15mm	R Nuts x 4 M6	S Allen Key M4
--------------------	-------------	------------------------	------------------	-------------------

## Step 12 x2

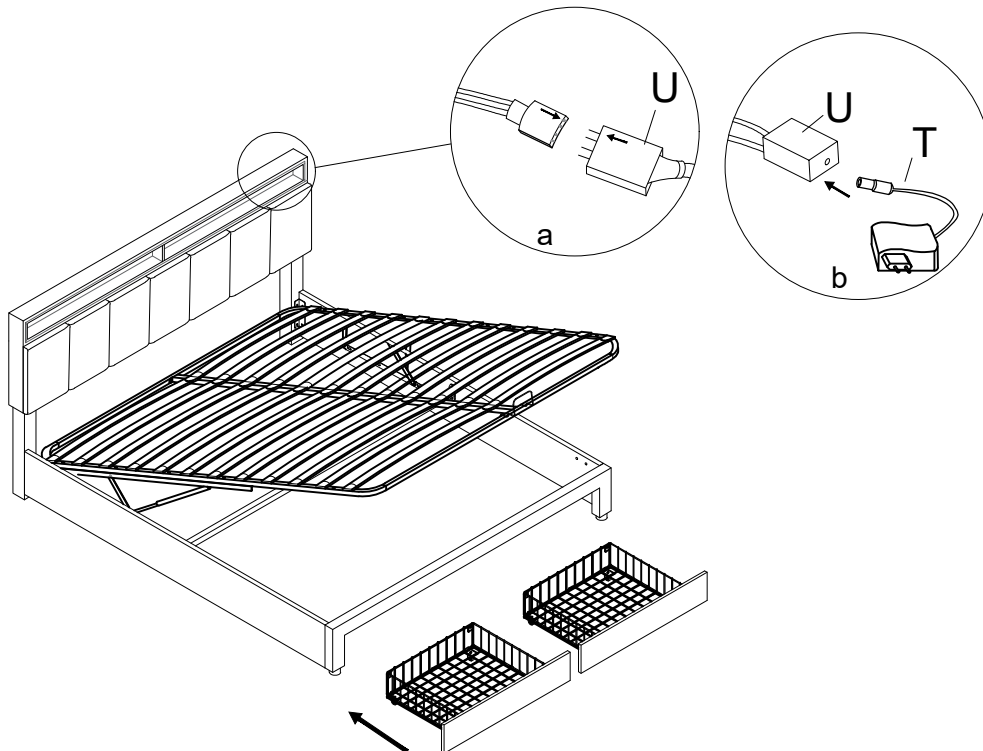
Fix Drawer outer board ⑧ to the drawer with Bolts Q by using Allen key S.

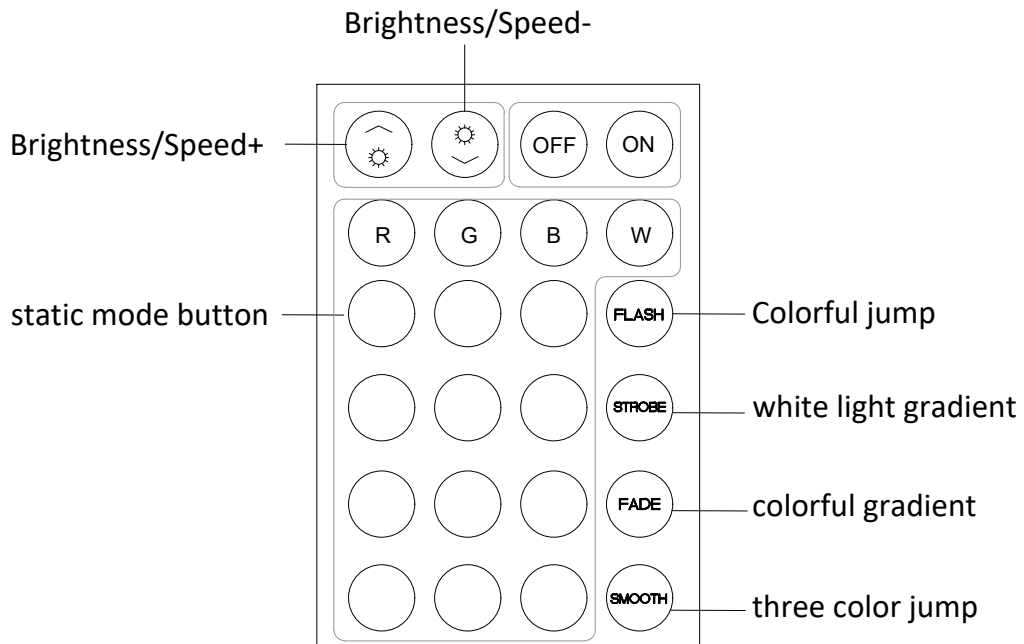


Q Bolts x 10  M6X15mm	S Allen Key  M4
--	--

## Step 13

Put the color controller U to the light line ,please notice that → ←. Fix the Led adapter T to the Color controller U, Finally connect the power. Push the drawers into the bed, then assembly is finished and please enjoy your bed.





**NOTICE:**

When you use the remote control board to control the color of the light, Please remove the clear plastic card first, then please be sure to point the remote control at the color controller U.