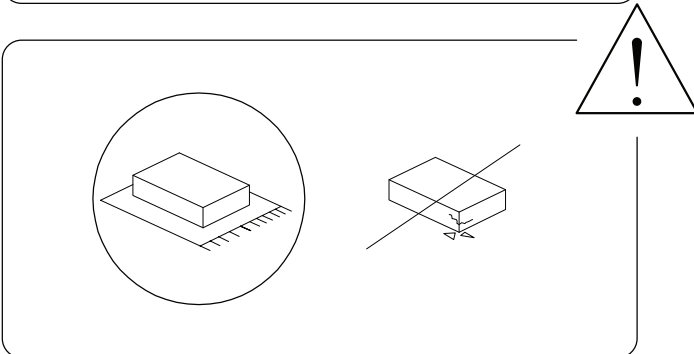
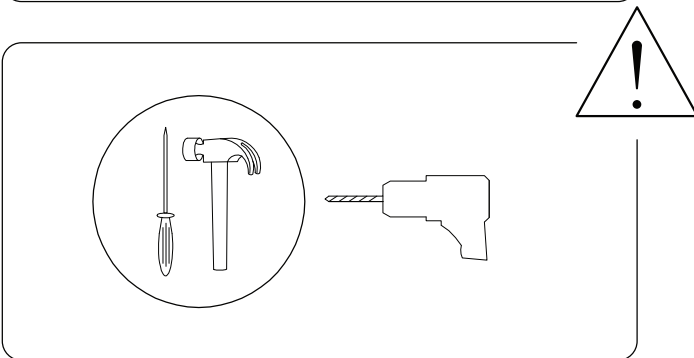
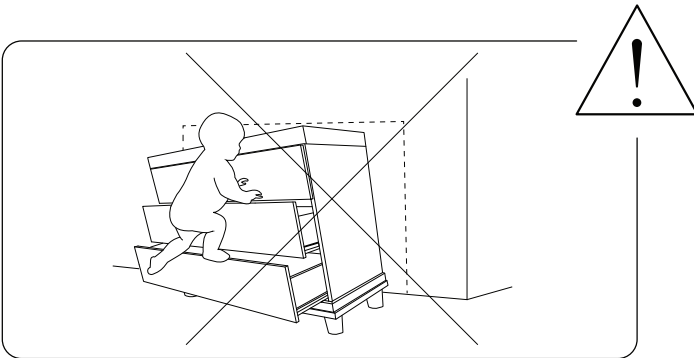
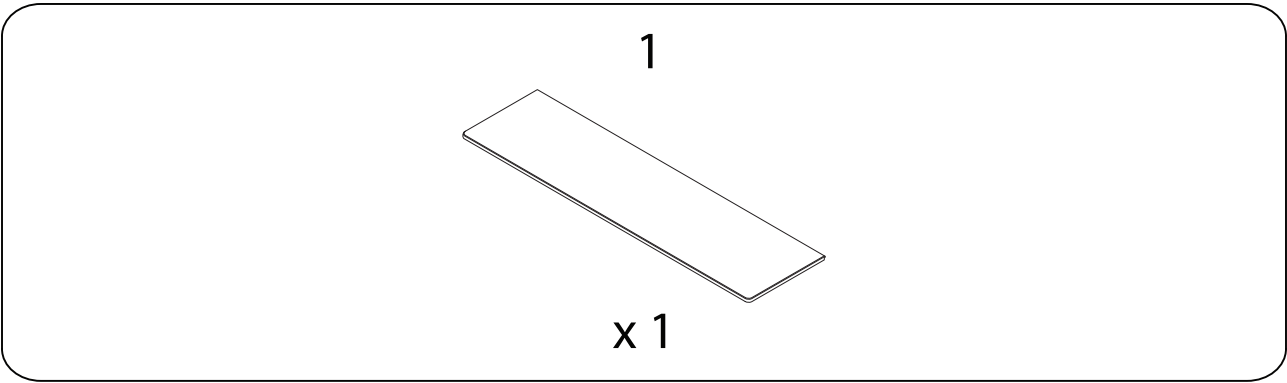
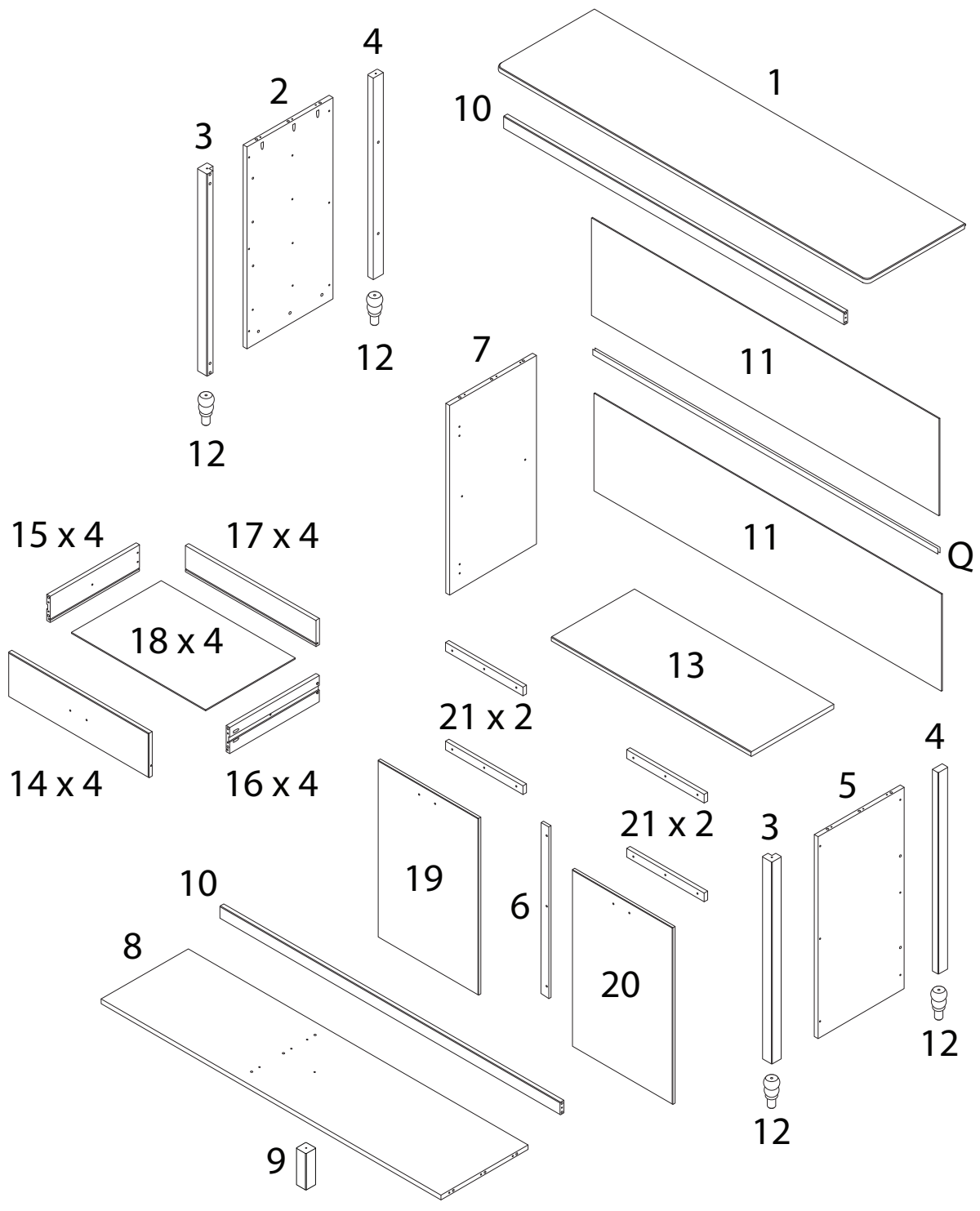


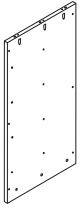
SHILLINGTON







2



x 1

3



x 2

4



x 2

5



x 1

6



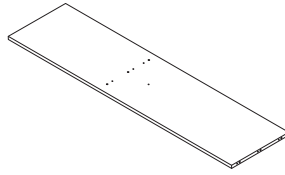
x 1

7



x 1

8



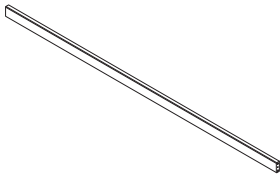
x 1

9



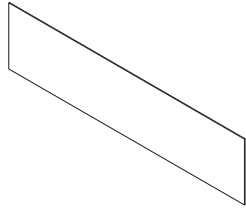
x 1

10



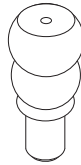
x 2

11



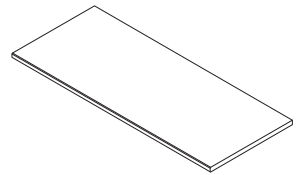
x 2

12



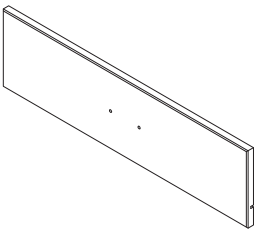
x 4

13



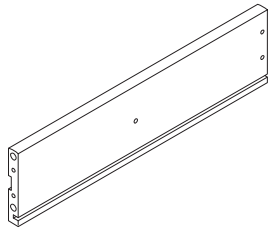
x 1

14



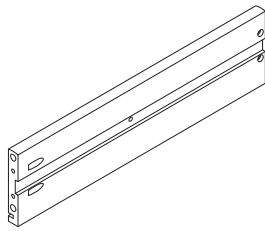
x 4

15



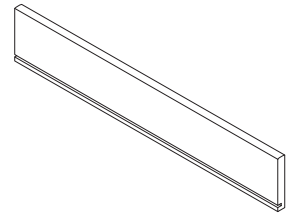
x 4

16



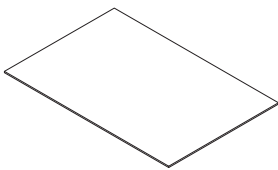
x 4

17



x 4

18



x 4

19



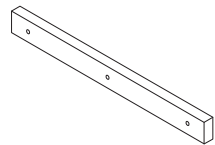
x 1

20



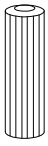
x 1

21



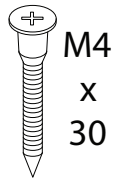
x 4

A



x 46

B



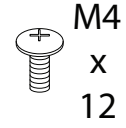
x 63

C



x 16

D



x 8

E



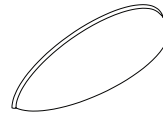
x 12

F



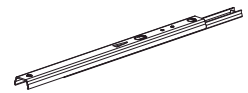
x 50

G



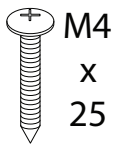
x 6

H



x 8

I



x 12

J



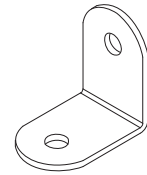
x 24

K



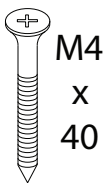
x 4

L



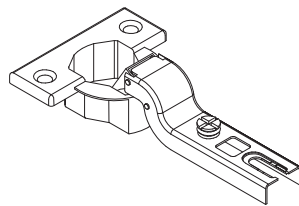
x 2

M



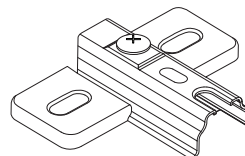
x 4

N



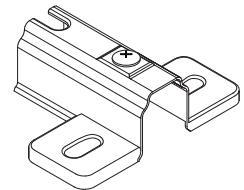
x 4

O



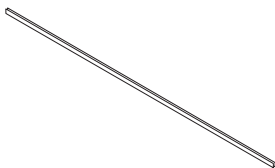
x 2

P



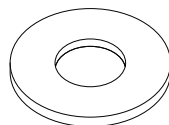
x 2

Q



x 1

R



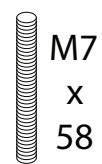
x 2

S



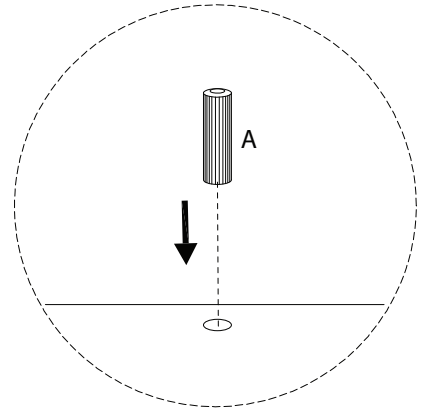
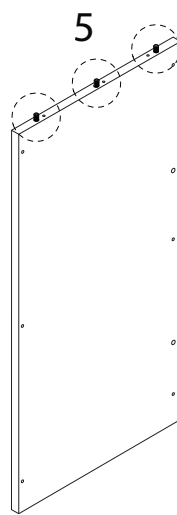
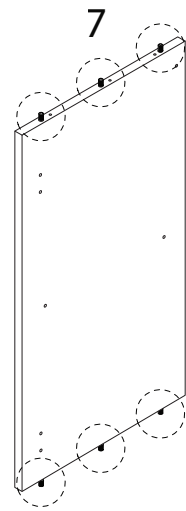
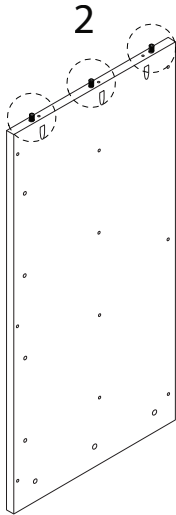
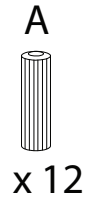
x 1

T

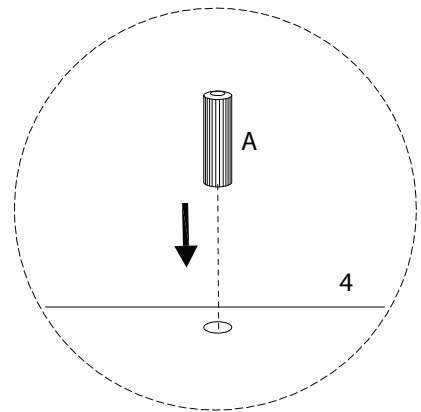
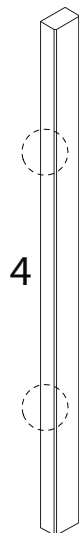
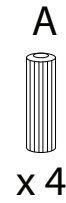


x 4

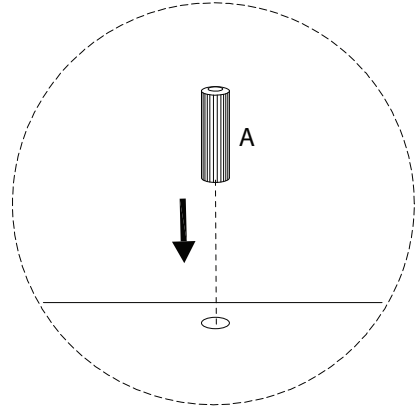
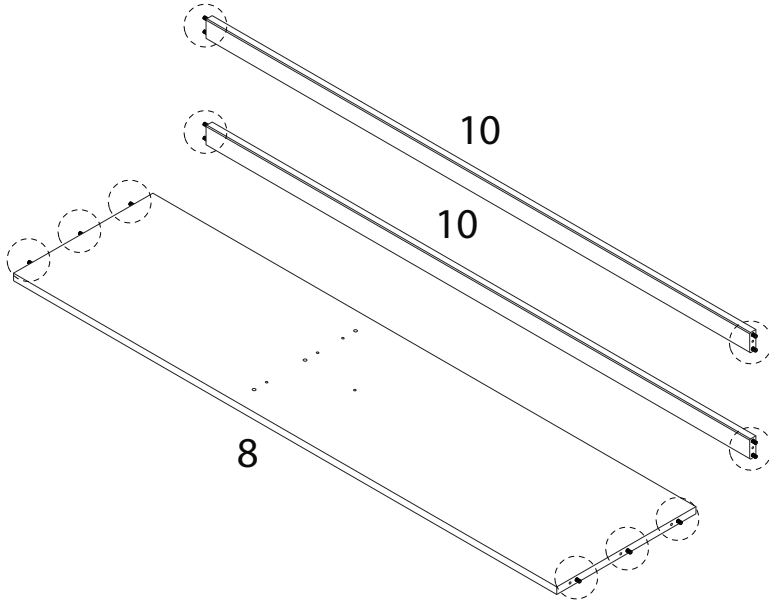
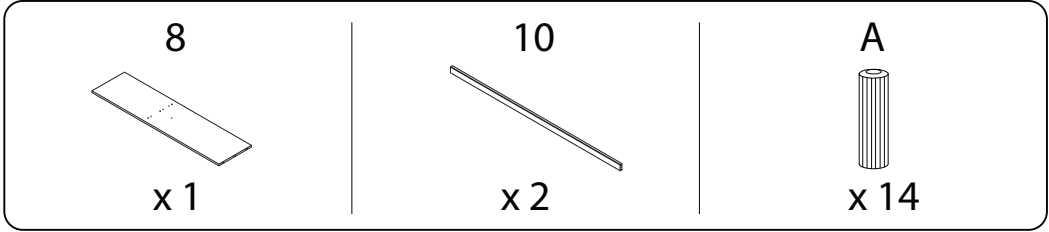
1



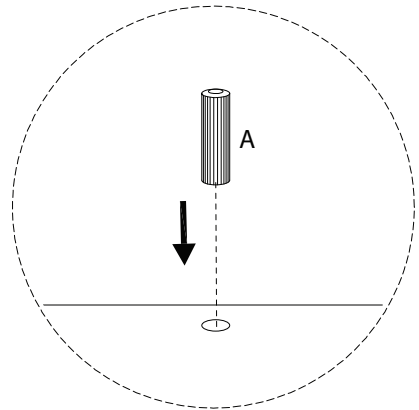
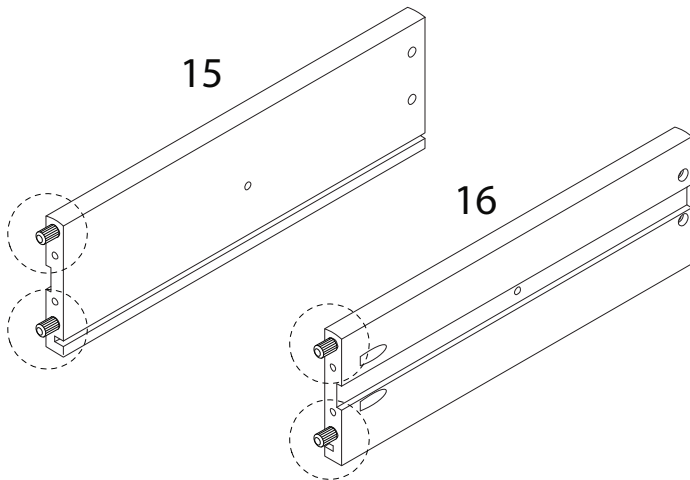
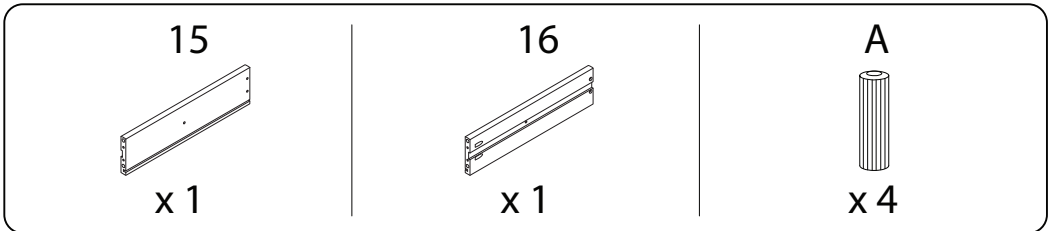
2



3



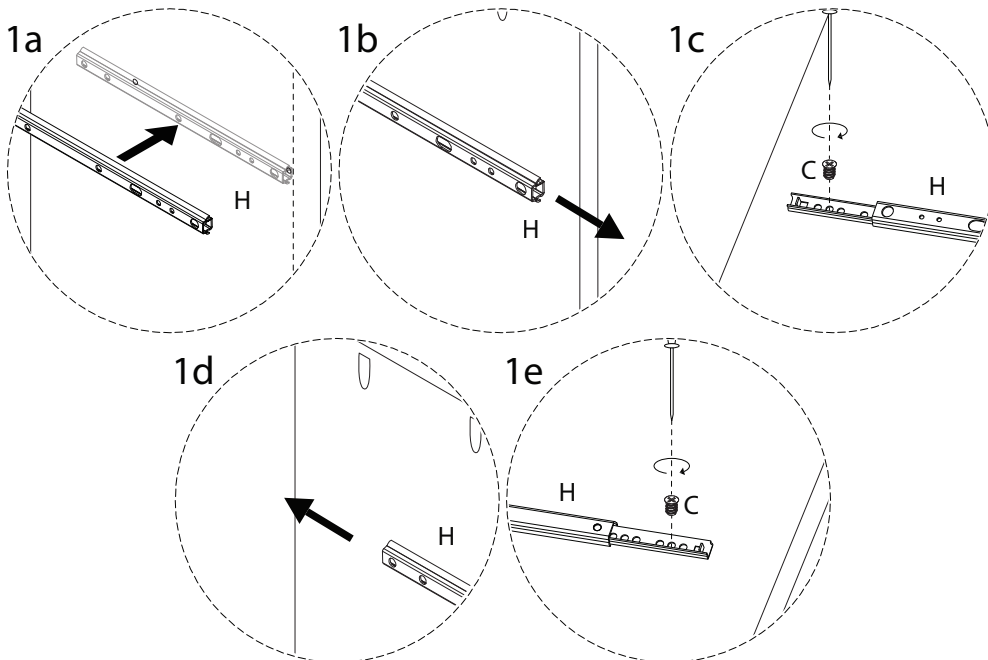
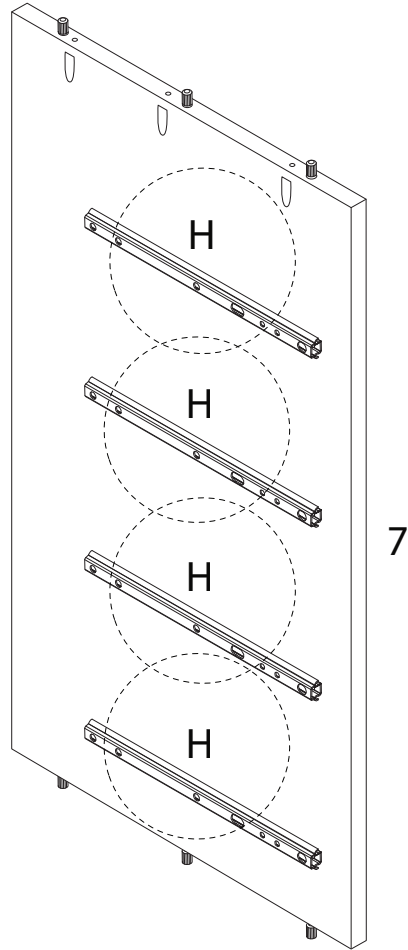
4 x 4



5

C
M6
x
10
x 8

H
x 4

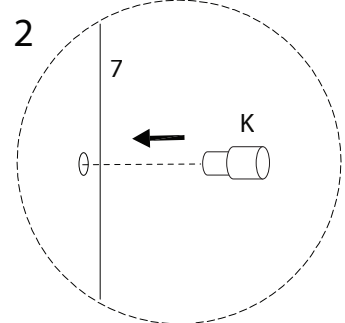
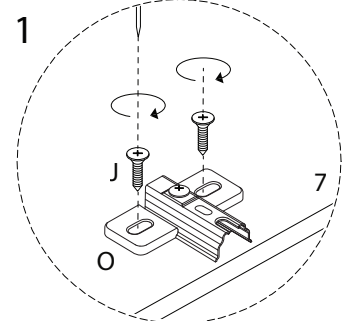
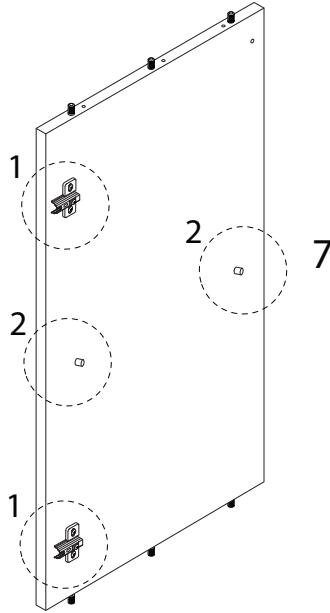


6

J
M4
x
16
x 4

K
x 2

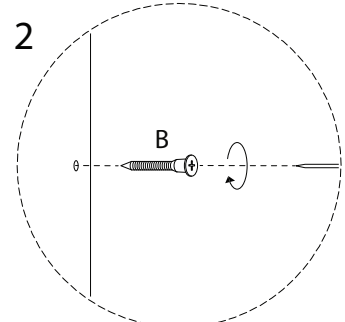
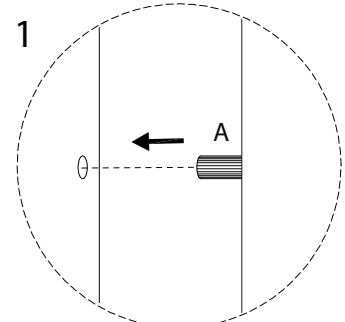
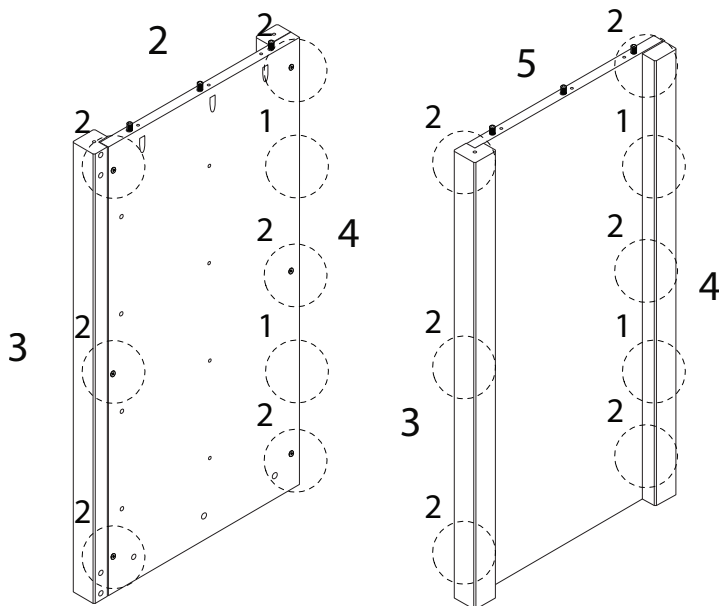
O
x 2



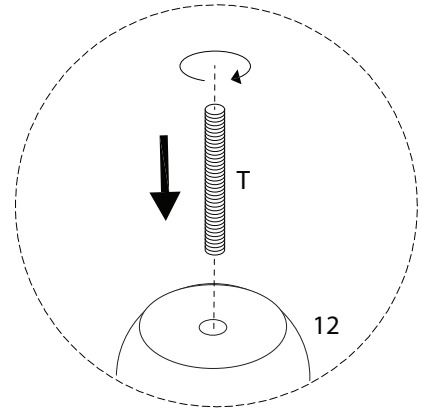
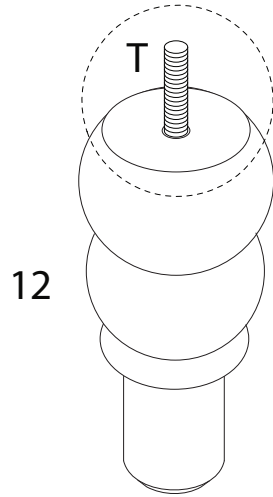
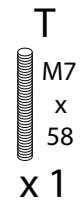
7

3
x 2

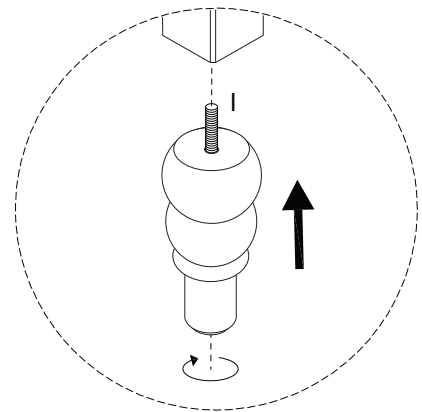
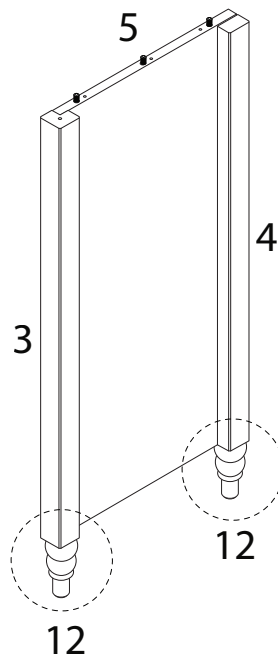
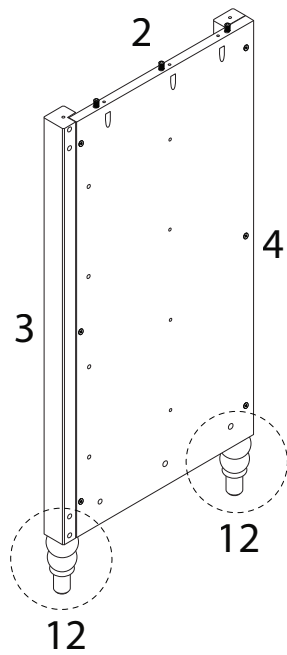
B
M4
x
30
x 12



8 x 4



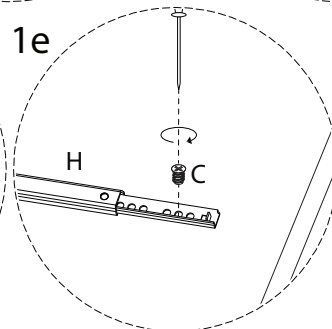
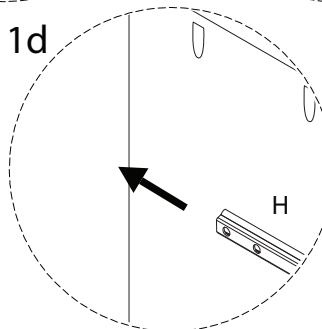
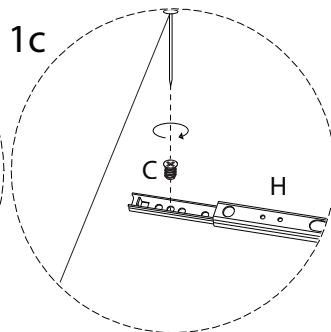
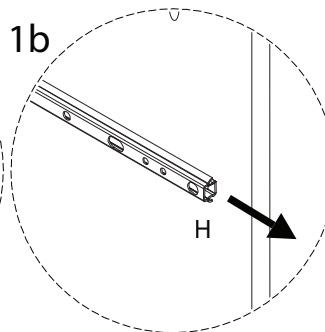
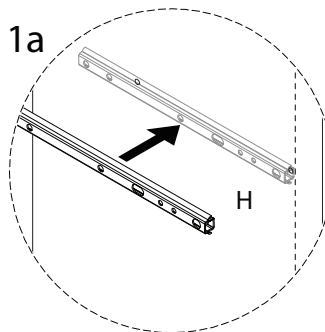
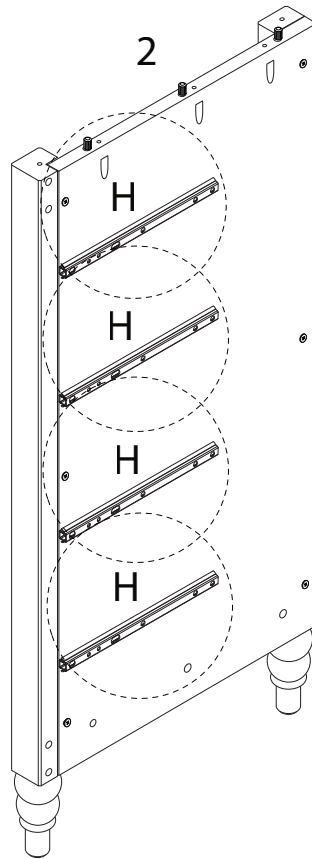
9



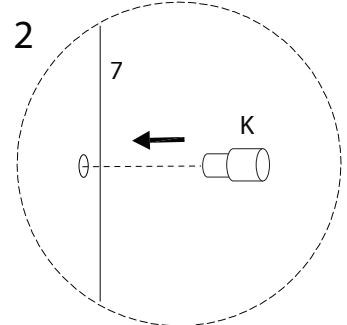
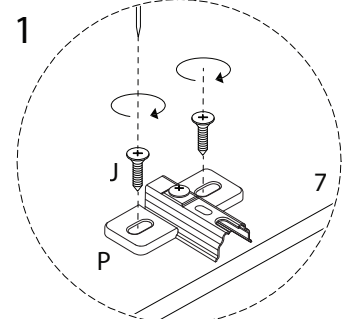
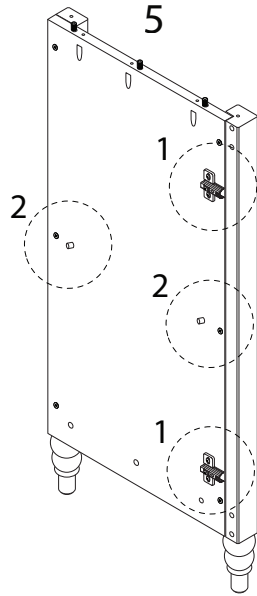
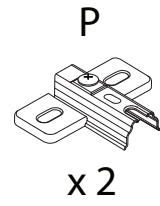
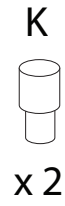
10

C
M6
x
10
x 8

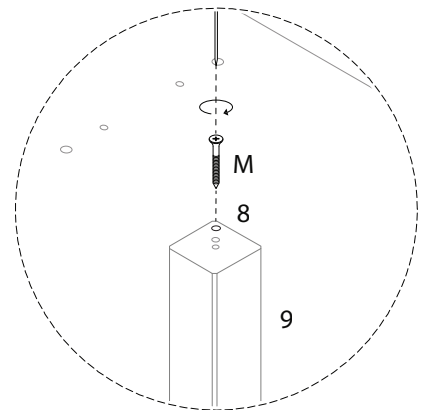
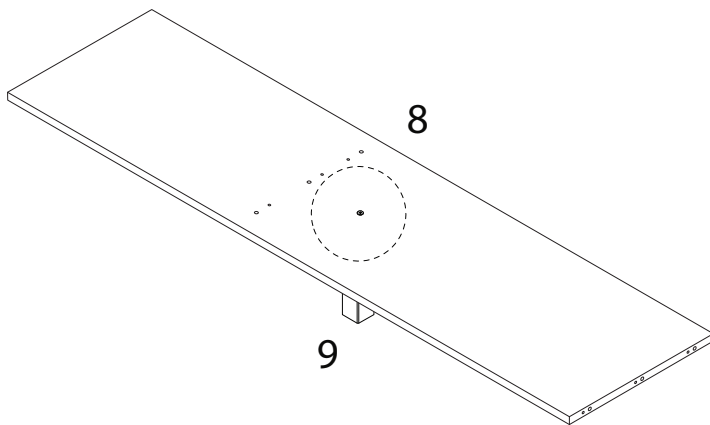
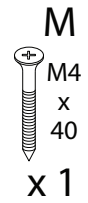
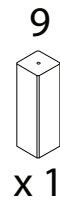
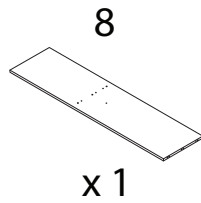
H
x 4



11

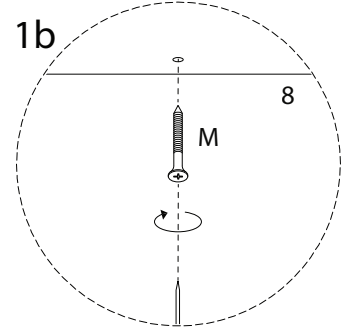
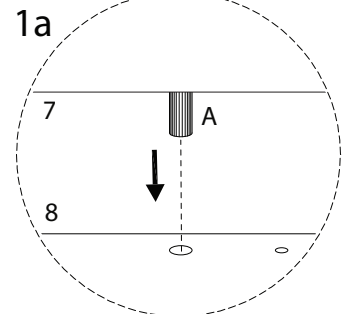
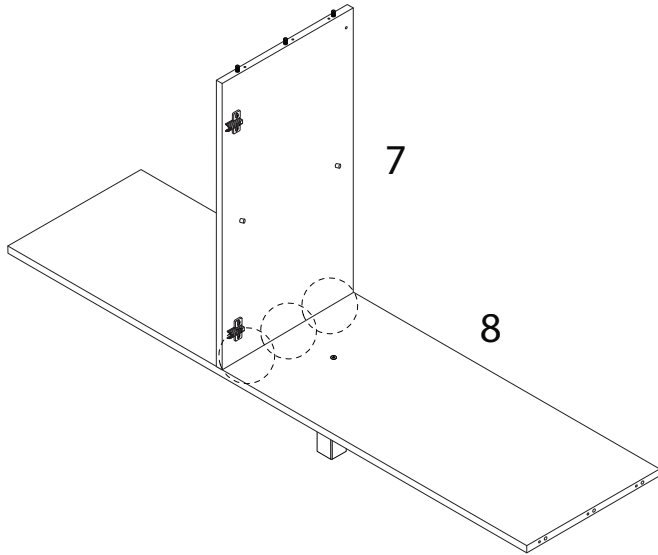


12



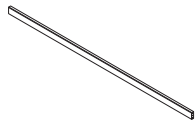
13

M
M4
x
40
x 3



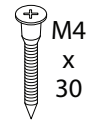
14

10

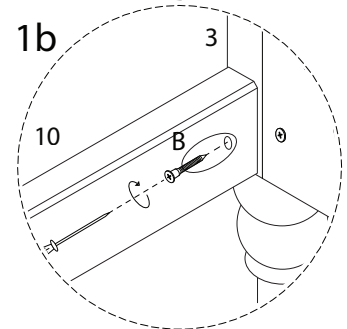
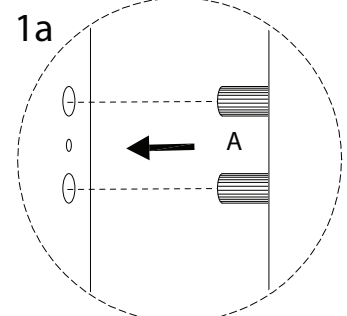
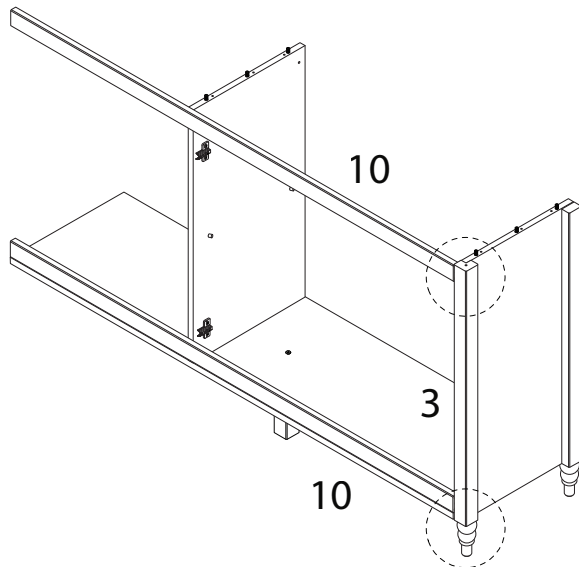


x 2

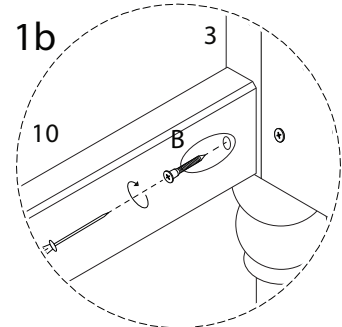
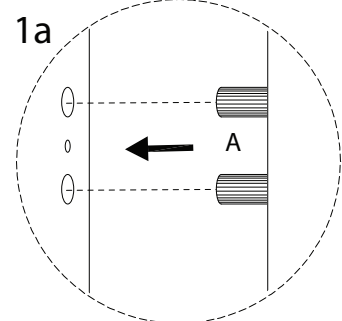
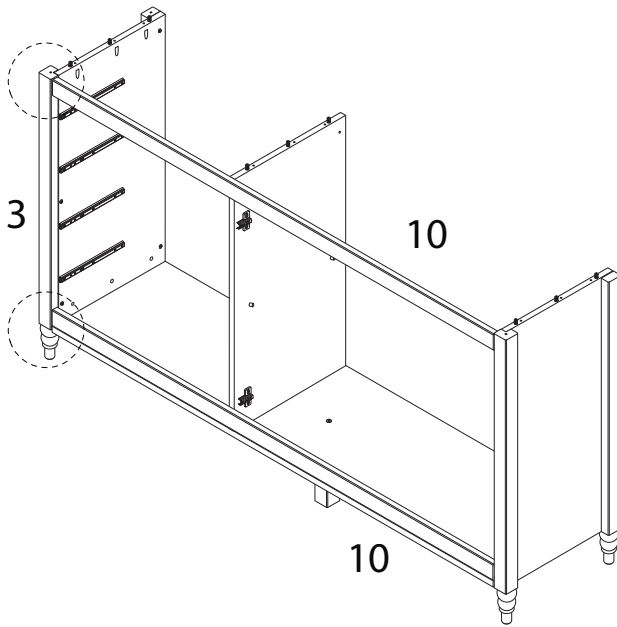
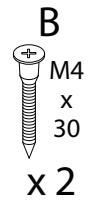
B



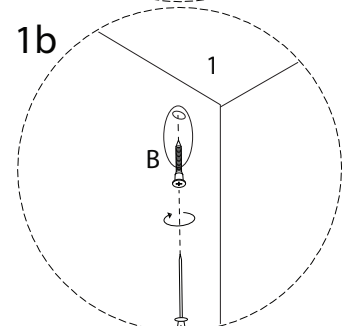
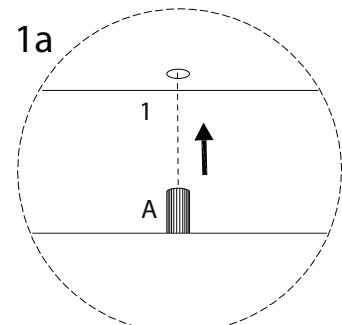
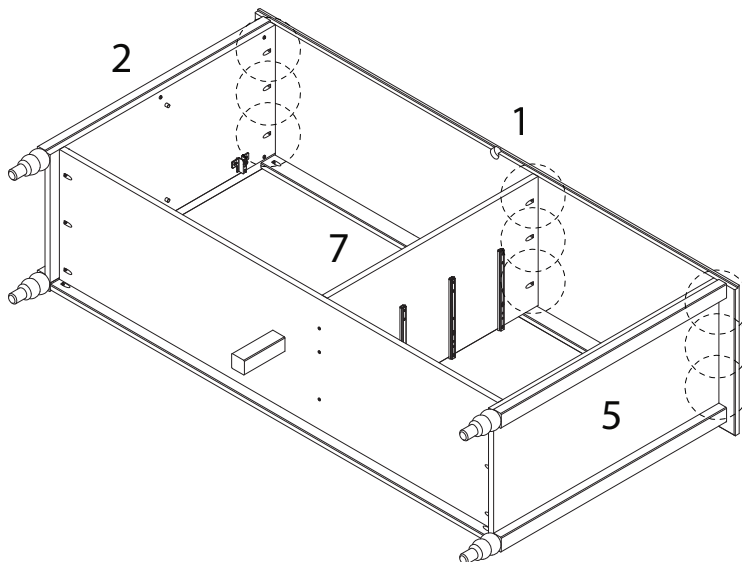
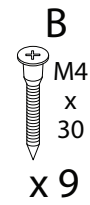
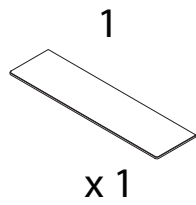
x 2



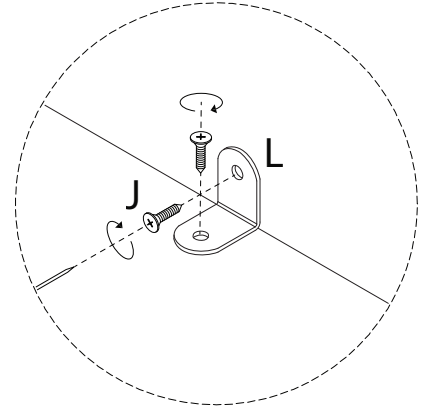
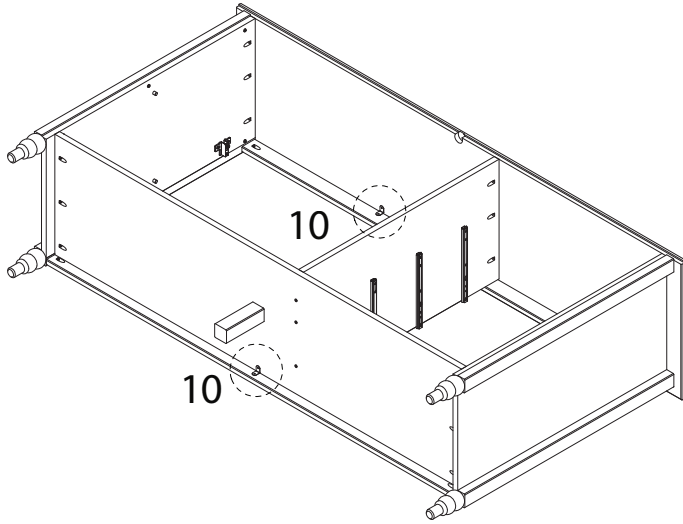
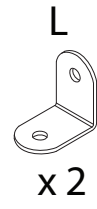
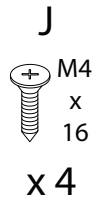
15



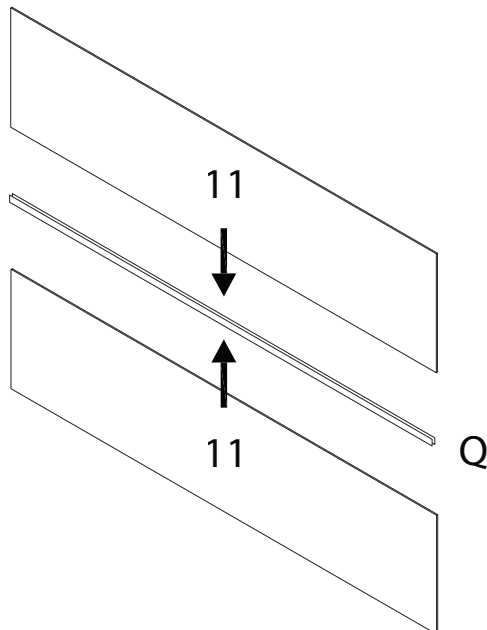
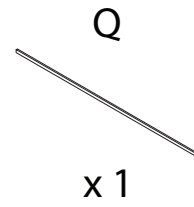
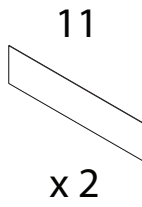
16



17

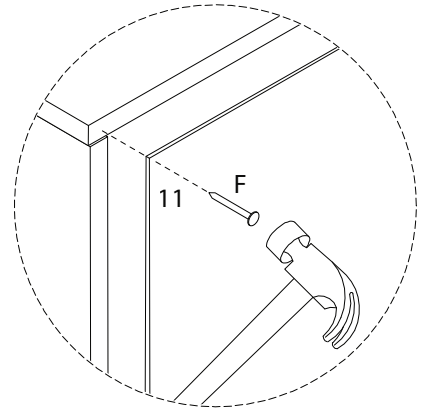
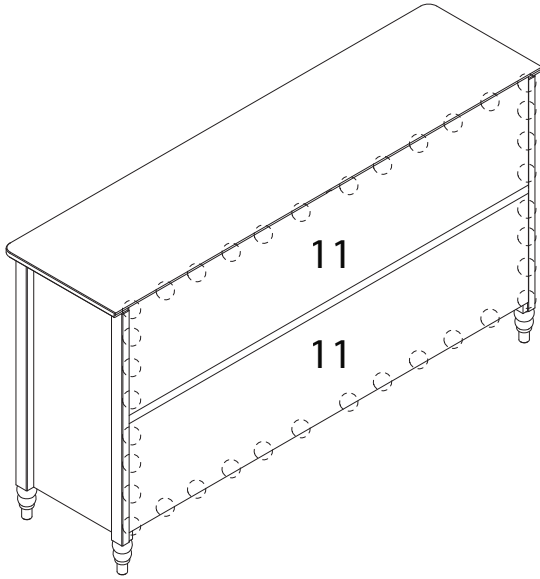


18

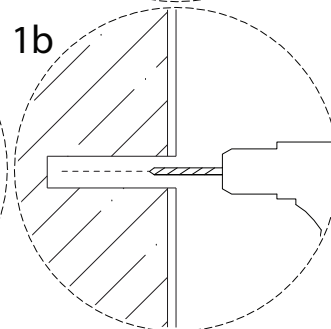
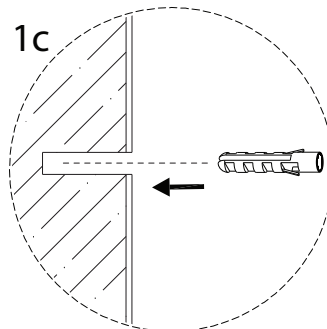
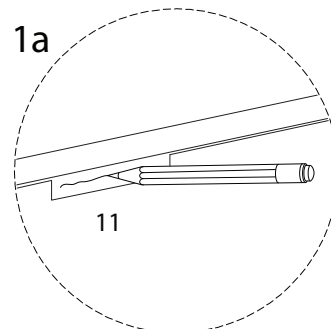
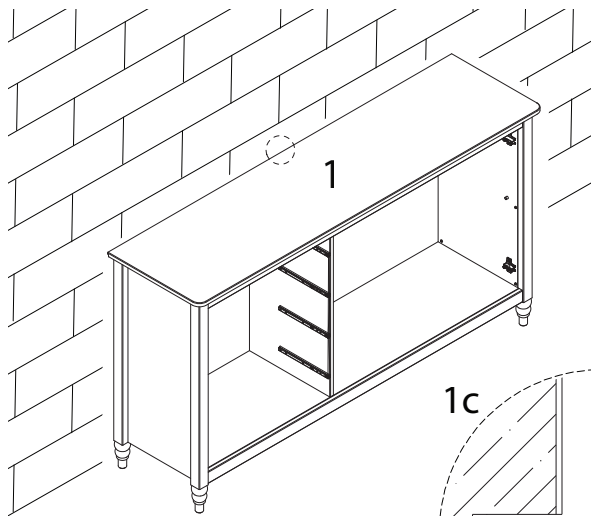


19

F
x 50

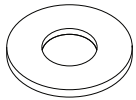


20



21

R

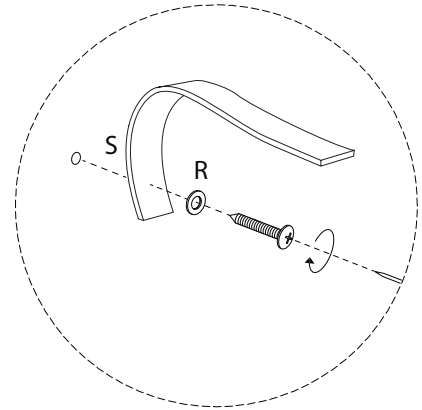
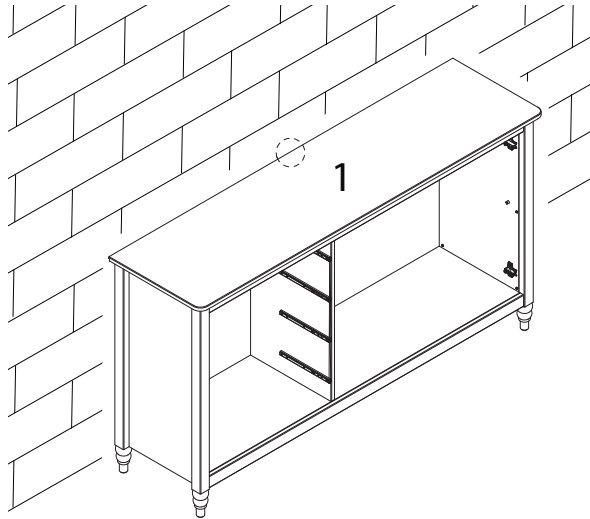


x 1

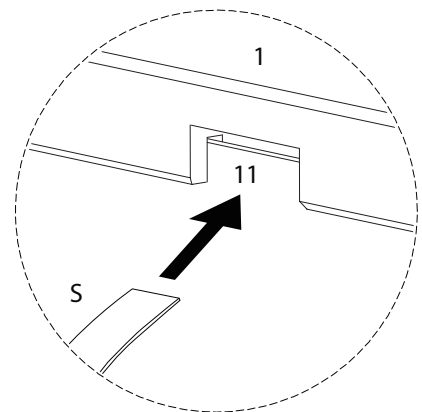
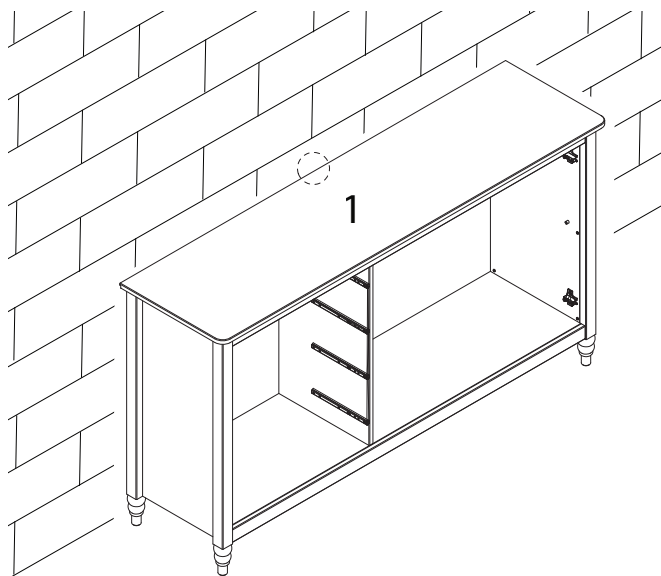
S



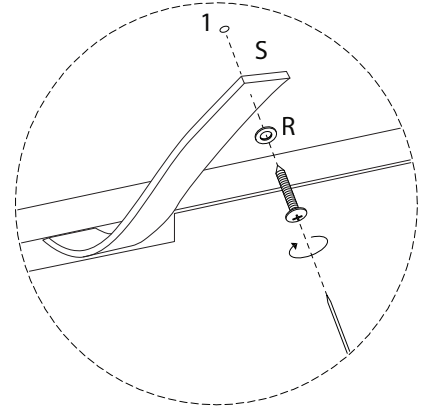
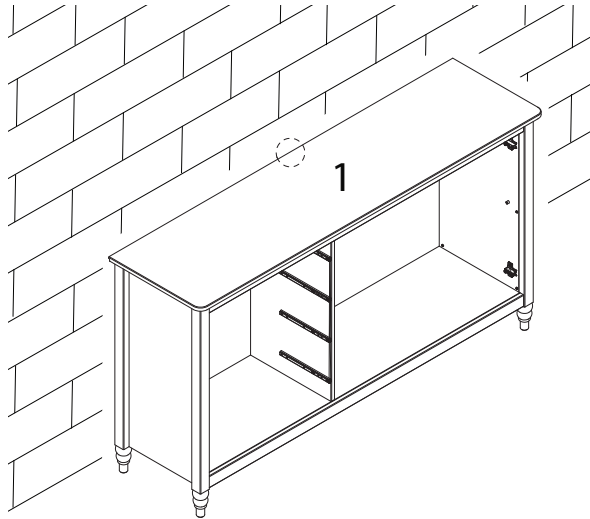
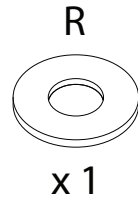
x 1



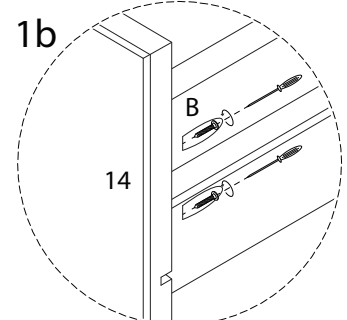
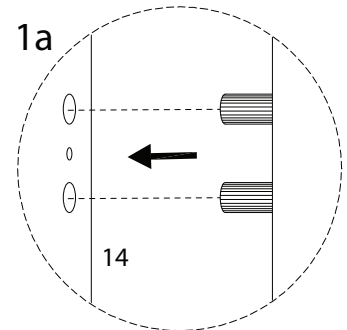
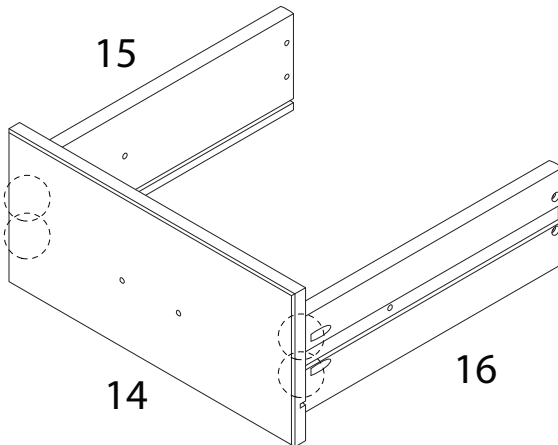
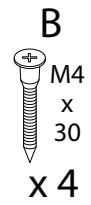
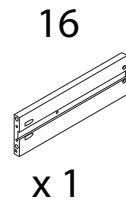
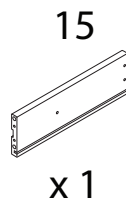
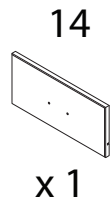
22



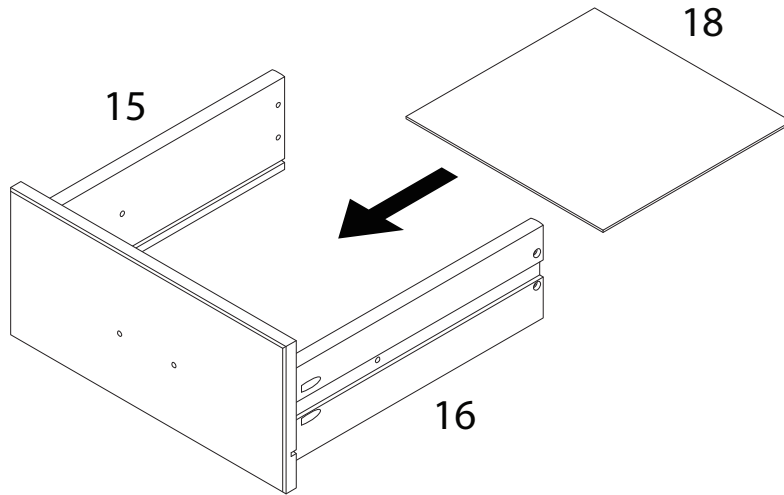
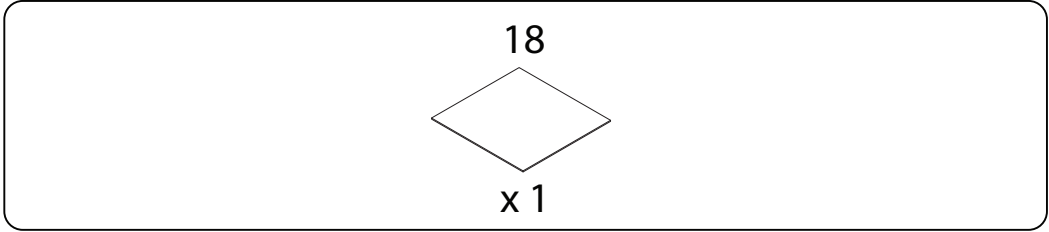
23



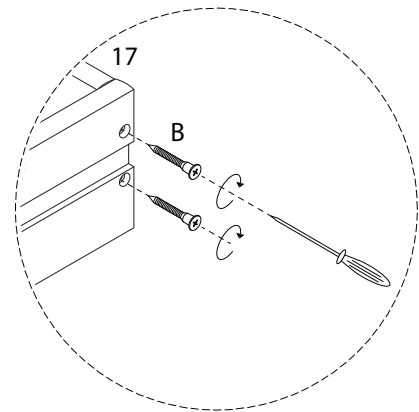
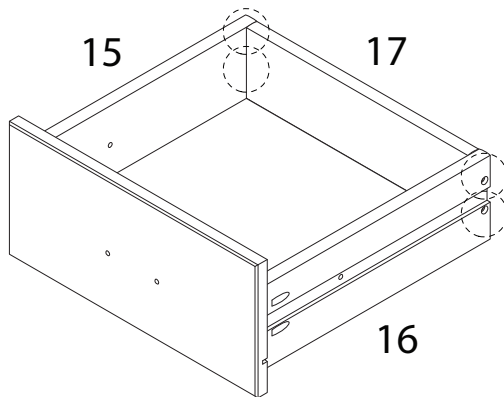
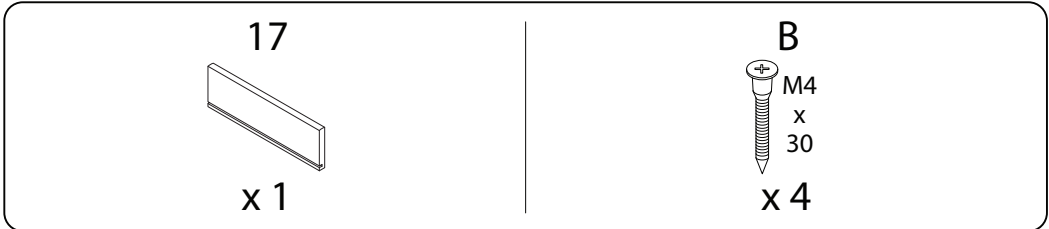
24 x 4



25 x 4

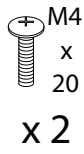


26 x 4

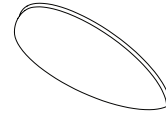


27 x 4

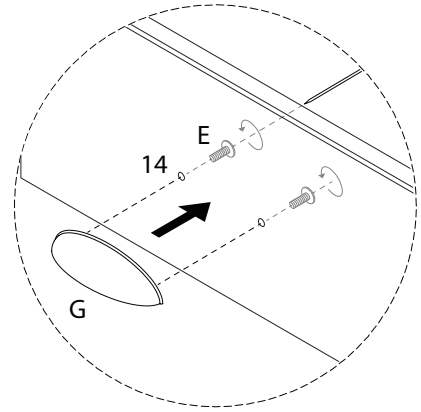
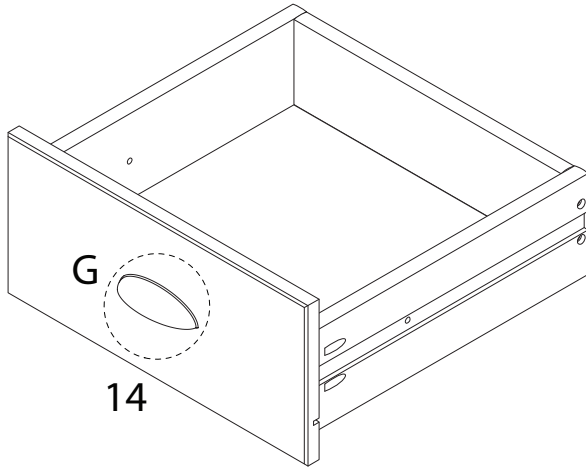
E



G

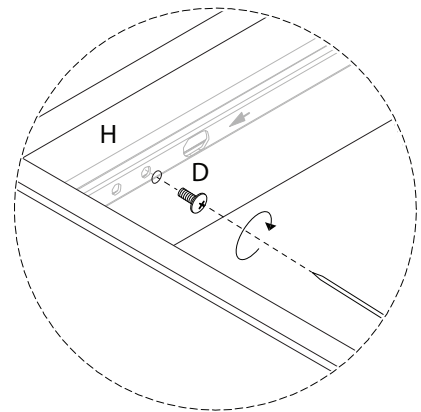
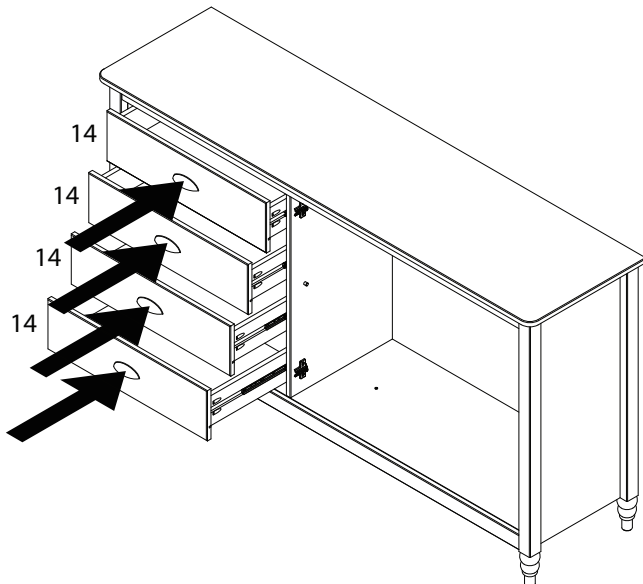
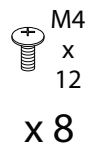


x 1

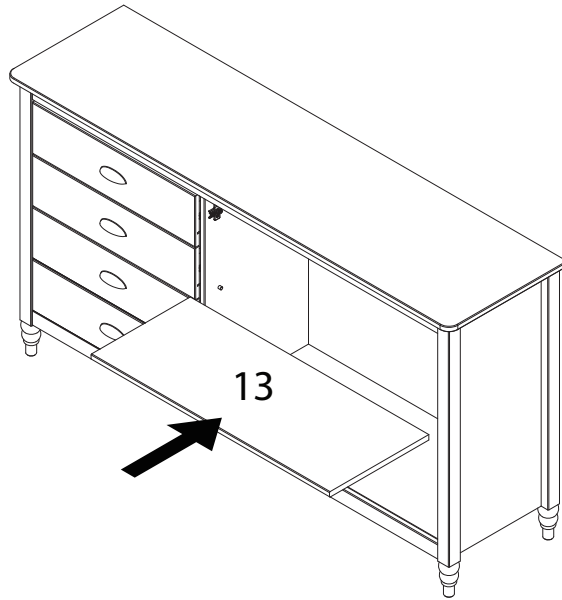
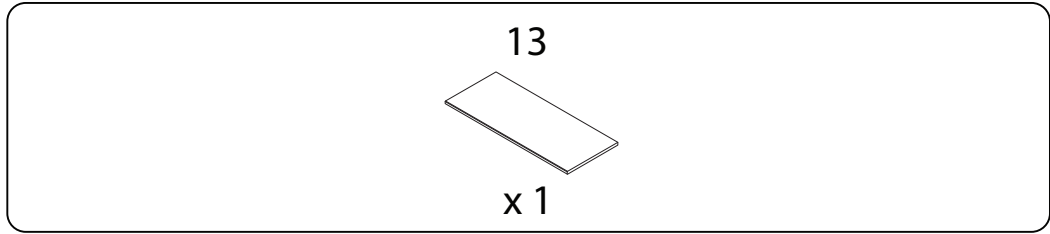


28

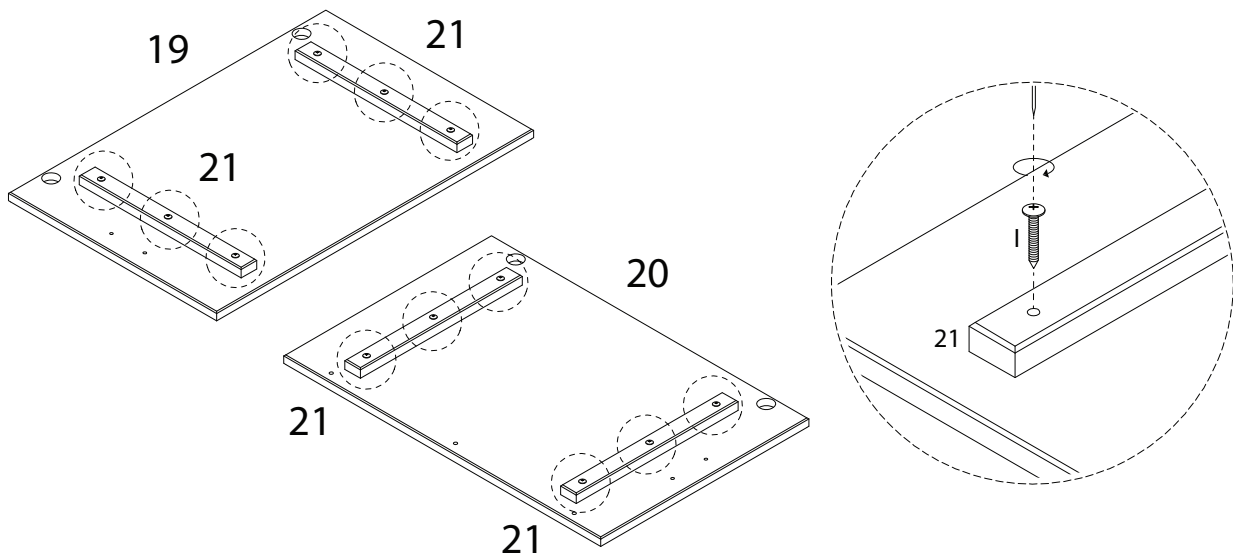
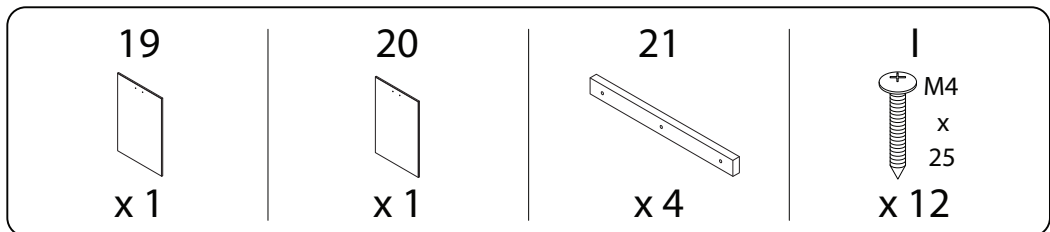
D



29

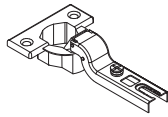


30



31

N

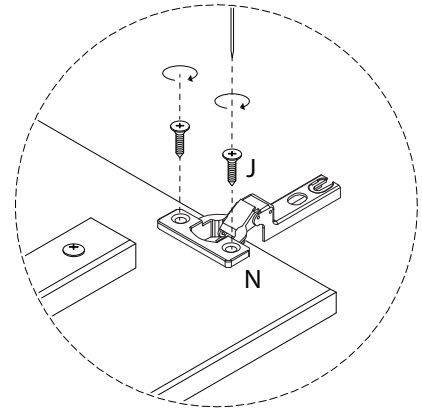
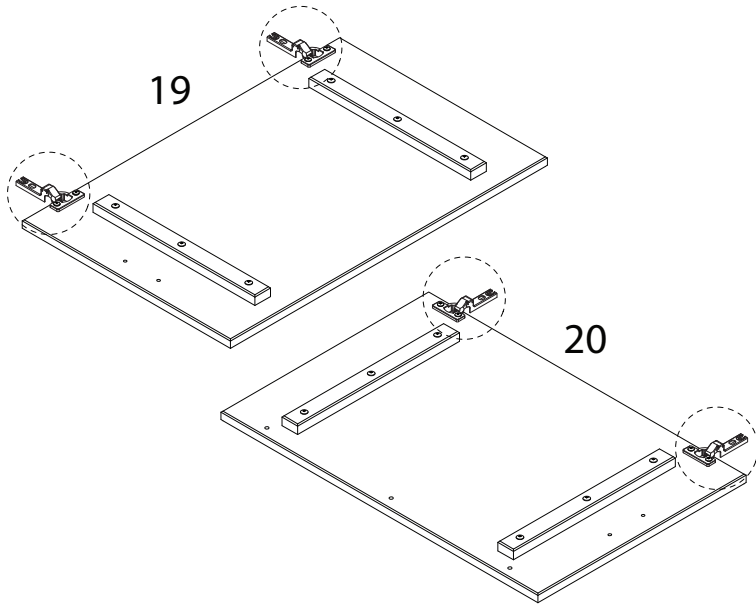


x 4

J



x 8



32

6

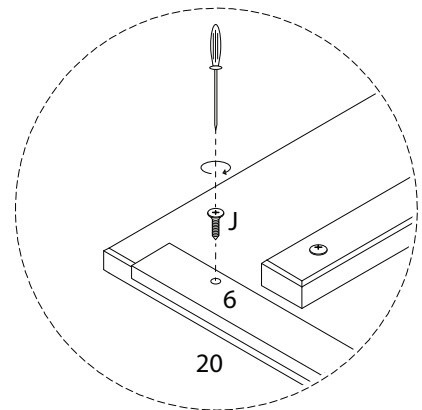
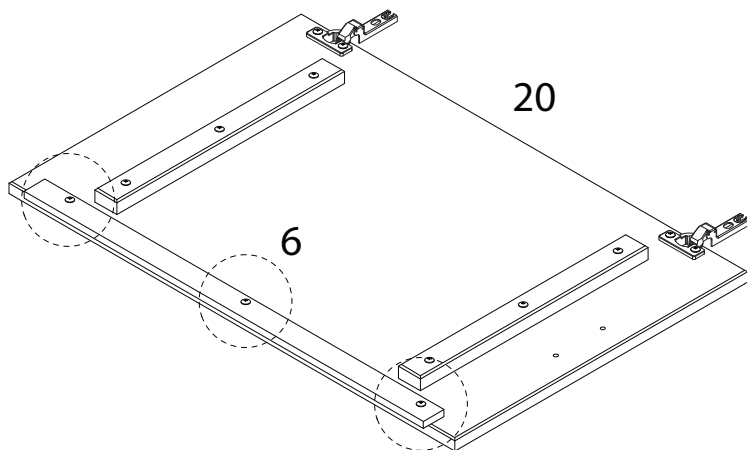


x 1

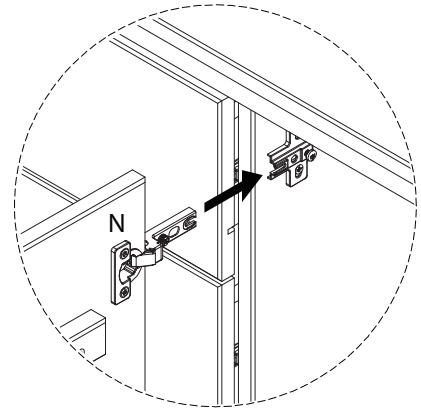
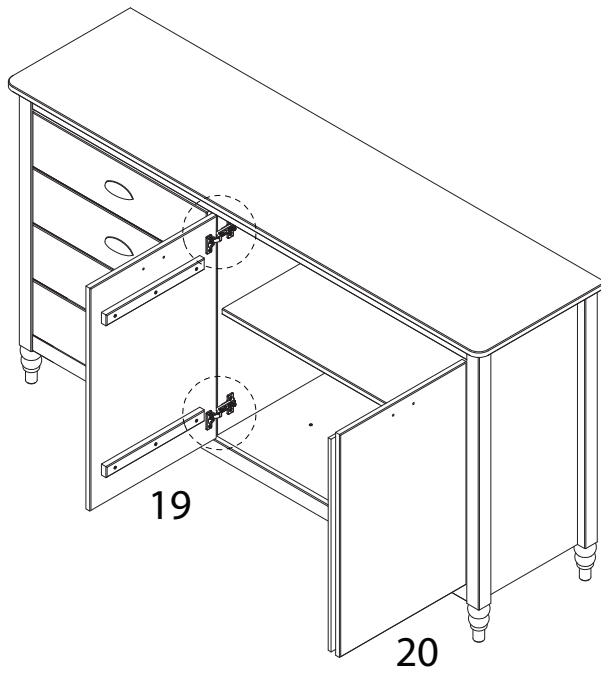
J



x 3



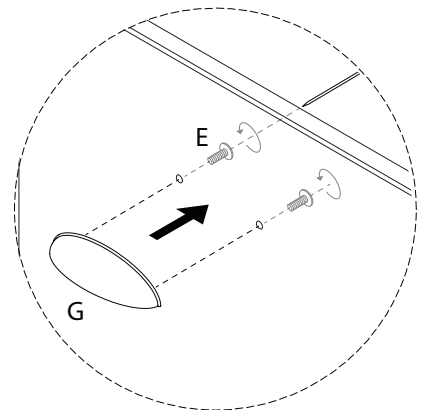
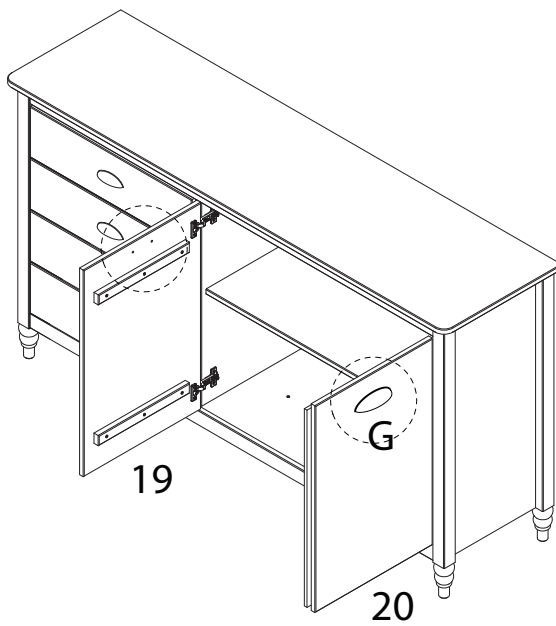
33



34

E
M4
x
20
x 4

G
x 2



35

